



1064 nm Polarization Insensitive Isolator (PSSI & PDSI Series)

Rev 10

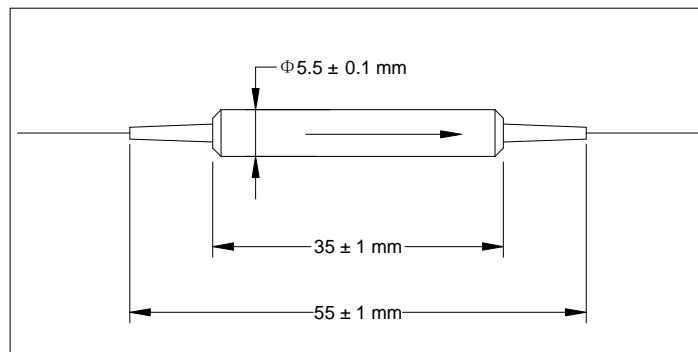
The 1064 nm Polarization Insensitive Isolator features a compact package, low insertion loss, high isolation, high return loss and excellent environmental stability and reliability. It is ideal for suppressing back reflection in fiber lasers and other high performance laser based fiber optics systems.

Specifications

Parameter	Unit	Single Stage		Dual Stage	
		Grade P	Grade A	Grade P	Grade A
Center Wavelength (λ_c)	nm	1064			
Typ. Peak Isolation	dB	40	38	55	52
Min. Isolation, λ_c , 23 °C, all polarization states	dB	35	32	45	42
Typ. Insertion Loss, λ_c , 23 °C, all polarization states	dB	1.5	1.6	2.4	2.6
Max. Insertion Loss, λ_c , -5 °C to 50 °C, all polarization states	dB	2.0	2.2	3.4	3.6
Min. Return Loss (Input/Output)	dB	55/50	55/50	55/50	55/50
Max. Polarization Dependent Loss, 23 °C	dB	0.1	0.15	0.1	0.15
Max. Optical Power (Continuous Wave)	mW	300			
Max. Tensile Load	N	5			
Fiber Type		HI 1060 fiber			
Operating Temperature	°C	-5 to +50			
Storage Temperature	°C	-40 to +85			

*IL is 0.5 dB higher, RL is 5 dB lower for each connector added.

Package Dimensions



Ordering Information

PSSI-06-①-②-③-④

PDSI-06-①-②-③-④

①: Grade	②: Connector Type	③: Fiber Type	④: Fiber Length
P - Premium	1 - FC/UPC	B - 250 μ m bare fiber	1 - 1.0 m
A - A grade	2 - FC/APC	L - 900 μ m loose tube	S - Specify
	3 - SC/UPC	S - Specify	
	4 - SC/APC		
	N - None		
	S - Specify		