



Bandpass Filter (BF Series)

The Bandpass Filter is a micro optics device based on environmentally stable Thin Film Filters technology. It is used to block out unwanted noise signals in EDFAs and DWDM systems. The components are characterized with high isolation, low insertion loss, high return loss, excellent environmental stability and high power handling capability.

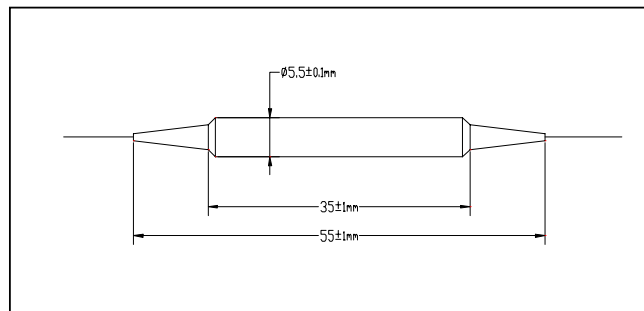
Specifications

Parameters	Unit	Values
Wavelength Range	nm	1528 - 1565
Max. Insertion Loss	dB	0.7
Typ. Insertion Loss	dB	0.5
Min. Insertion Loss @ wavelength <1521nm and >1574nm	dB	12
Min. Return Loss	dB	50
Max. PDL	dB	0.1
Typ. PDL	dB	0.05
Thermal Stability	dB/°C	≤0.005
Thermal Wavelength Drift	nm/°C	≤0.003
Max. Optical Power	mW	300
Max. Tensile Load	N	5
Fiber Type		SMF-28 Fiber
Operating Temperature	°C	-5 to +70
Storage Temperature	°C	-40 to +85

*Above specifications are for device without connector.

*For devices with connectors, IL will be 0.3dB higher, RL will be 5dB lower.

Package Dimensions



Ordering Information

BF-①①①①-②-③-④

①①①①: Center Wavelength
2865 - 1528-1565 nm
SSSS - Specify

③: Fiber Type
B - 250um bare fiber
L - 900um loose tube
S - Specify

②: Connector Type
1 - FC/UPC
2 - FC/APC
3 - SC/UPC
4 - SC/APC
5 - LC/UPC
6 - ST/UPC
N - None
S - Specify

④: Fiber length
1 - 1.0 m
S - Specify