



Filter Wavelength Division Multiplexer

(FWDM Series)

The Filter Wavelength Division Multiplexer series are based on environmentally stable Thin Film Filters technology. The devices combine or separate light at different wavelength in a wide wavelength range. They offer very low insertion loss, low polarization dependence, high isolation and excellent environmental stability. High power handling capability can be achieved through unique pigtail processing and high quality AR coating. These components have been extensively used in EDFAs, Raman amplifier, WDM networks and fiber optics instrumentation.

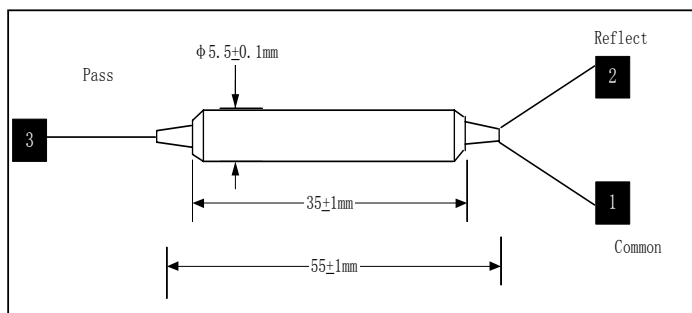
Specifications

Parameters	Unit	Values
Pass Band	Wavelength Range	nm 1270-1350(1530-1600) 1450-1490(1530-1580) 1500-1520(1530-1570) 950-1010(1500-1600)
	Typ. Insertion Loss	dB 0.4 0.4 0.5 0.5
	Max. Insertion Loss	dB 0.6 0.6 0.7 0.7
	Typ. Isolation	dB 35 30 35 35
	Min. Isolation	dB 30 25 30 30
Reflection Band	Wavelength Range	nm 1530-1600(1270-1350) 1530-1580(1450-1490) 1530-1570(1500-1520) 1500-1600(950-1010)
	Typ. Insertion Loss	dB 0.3
	Max. Insertion Loss	dB 0.5
	Typ. Isolation	dB 15
	Min. Isolation	dB 12
Min. Return Loss	dB	≥50
Max. PDL	dB	0.1
Typ. PDL	dB	0.05
Thermal Stability	dB/°C	≤0.005
Max. Optical Power	mW	300
Max. Tensile Load	N	5
Fiber Type		SMF-28 Fiber HI 1060 Fiber for pump Channel(Two ports)
Operating Temperature	°C	-5 to +70
Storage Temperature	°C	-40 to +85

*Above specifications are for device without connector.

*For devices with connectors, IL will be 0.3dB higher, RL will be 5dB lower.

Package Dimensions



Ordering Information

FWDM-①①①①-②-③-④

①: Wavelength

3155 - 1310 Pass/1550 Reflect
5531 - 1310 Reflect/1550 Pass
4855 - 1480 Pass/1550 Reflect
5548 - 1480 Reflect/1550 Pass
5155 - 1510 Pass/1550 Reflect
5551 - 1510 Reflect/1550 Pass
9855 - 980 Pass / 1550 Reflect
5598 - 980 Reflect / 1550 Pass

②: Connector Type

1 - FC/UPC
2 - FC/APC
3 - SC/UPC
4 - SC/APC
5 - LC/UPC
6 - ST/UPC
N - None
S - Specify

③: Fiber Type

B - 250um bare fiber
L - 900um loose tube
S - Specify

④: Fiber Length

1 - 1.0 m
S - Specify

* SMF-28 is used for 1550nm interface and HI 1060 is used for 980nm channel