



## Isolator/Filter Wavelength Division Multiplexer Hybrid 980/1550nm (IWDM Series)

The 980/1550 IWDM series combines Filter WDM and isolator into a compact package to offer cost saving solution. This device is ideal for fiber amplifier application to combine signal and pump wavelengths with very stable 1550nm signal isolation. It is designed and manufactured to Telcordia standard and is capable of high power handling.

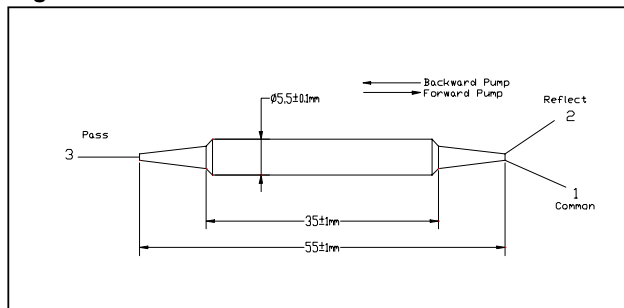
		Specifications		
Parameters		Unit	Single Stage	Dual Stage
	Signal Wavelength Range	nm		1530-1580
	Typ. Insertion Loss	dB	0.6	0.8
	Max. Insertion Loss	dB	0.8	1.0
	Typ. Peak Isolation of Signal Channel	dB	40	55
	Min. signal Isolation at room temp (1550±15 for single Stage, 1550±30 for Dual Stage)	dB	30	45
Pass Band	Max. PDL	dB	0.1	0.15
	Max. PMD	ps	0.25 <sup>1</sup>	0.05
	Wavelength Range	nm		950-1010
	Typ. insertion Loss@C-R	dB		0.3
Reflection Band	Max. insertion Loss@C-R	dB		0.5
	Max. PDL	dB		0.1
Min. Return Loss		dB		50
Thermal Stability		dB/°C		≤0.005
Max. Optical Power		mW		300
Max. Tensile Load		N		5
Operating Temperature		°C		-5 to +70
Storage Temperature		°C		-40 to +85

<sup>1</sup> Low PMD version is available. PMD < 0.05ps

\*Above specifications are for device without connector

\*For devices with connectors, IL will be 0.3dB higher, RL will be 5dB lower.

### Package Dimensions



### Ordering Information

#### IWDM-98-①-②-③-④-⑤-⑥

①: Pump Type 1 - Forward Pump 2 - Backward Pump	④: Connector Type 1 - FC/UPC 2 - FC/APC 3 - SC/UPC 4 - SC/APC 5 - LC /UPC 6 - ST/UPC N - None S - Specify	⑤: Fiber Type B - 250um bare fiber L - 900um loose tube S - Specify
②: Stage Type 1 - Single Stage 2 - Dual Stage	⑥: Fiber Length 1 - 1.0 m S - Specify	
③: PMD 1 - 0.05ps max. 2 - Refer to above spec.		

\* SMF-28 is used for Pass Port and HI 1060 is used for Reflect and Common Port.