



2um Polarization Maintaining Isolator (PMI Series)

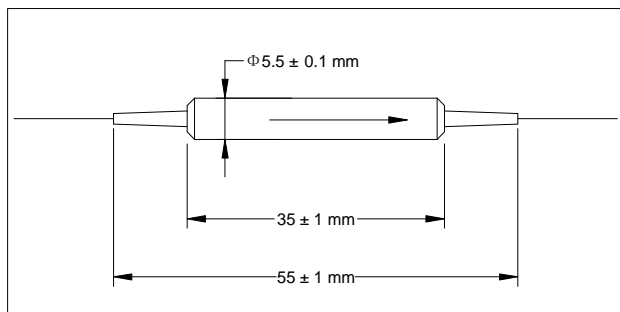
The Polarization Maintaining Isolator is characterized with low insertion loss, high isolation, high return loss, high extinction ratio and excellent environmental stability and reliability. It is specially designed for 2um polarization maintaining fiber amplifiers, fiber laser systems.

Specifications

Parameter	Unit	Single Stage	Dual Stage
Center Wavelength (λ_c)	nm		2000
Min. Extinction Ratio	dB	18	18
Min. Isolation, $\lambda_c \pm 50$ nm, 23 °C, all polarization states	dB	16	30
Max. Insertion Loss, $\lambda_c \pm 20$ nm, all temperature, all polarization states	dB	1.2	1.5
Min. Return Loss (Input/Output)	dB	50	50
Max. Optical Power (Continuous Wave)	mW		300
Max. Tensile Load	N		5
Fiber Type		PM 1550 Panda fiber or specify	
Operating Temperature	°C	-5 to +70	
Storage Temperature	°C	-40 to +85	

*IL is 0.3 dB higher, RL is 5 dB lower, and ER is 2 dB lower for each connector added. Connector key is aligned to slow axis.

Package Dimensions



Ordering Information

PMI-①-②②②②-③-④-⑤-⑥

①: Stage

1 - Single stage

2 - Dual stage

②②②②: Wavelength

2000 - 2000 nm

SSSS - Specify

③: Connector Type

1 - FC/UPC

2 - FC/APC

3 - SC/UPC

4 - SC/APC

N - None

④: Fiber Type

B - 250 μ m Panda fiber

D - 400 μ m Panda fiber

L - 900 μ m loose tube

S - Specify

⑤: Fiber Length

Q - 0.75 m

S - Specify

⑥: Working Axis

F - Fast axis blocked

B - Both axes working