



Multimode Fiber Collimator (MMC Series)

The Multimode fiber Collimator is the basic element for in-line fiber optics components, such as isolator and FWDM. It has low insertion and high return loss. The unique processing and high quality AR coating also enable this collimator to handle high power.



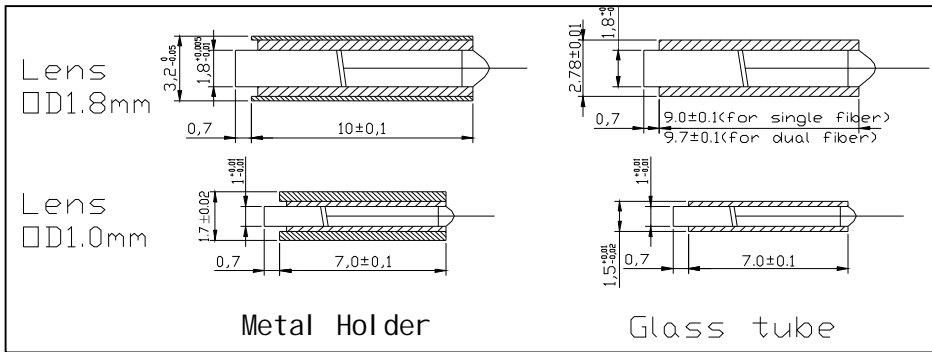
Specifications

| Parameters | Unit | Values |
|----------------------------|------|-------------------------------------|
| Center Wavelength | nm | 1310, 1550 or Specify |
| Operating Wavelength Range | nm | +/-30 |
| Working Distance | mm | 5 or specify |
| Typ. Insertion Loss@5mm | dB | 0.20 |
| Max. Insertion Loss@5mm | dB | 0.25 |
| Min. Return Loss | dB | 35 |
| Tensile Load | N | 5 |
| Fiber Type | | Multimode fiber 62.5/125 or specify |
| Operating Temperature | °C | -5 to +70 |
| Storage Temperature | °C | -40 to +85 |

*Above specifications are for device without connector

*For devices with connectors, IL will be 0.2dB higher, RL will be 10dB lower.

Package Dimensions



Ordering Information

MMC-①-②-③-④-⑤-⑥-⑦-⑧-⑨

①: Lens Diameter

- 1 - 1.8mm
- 2 - 1.0mm(for single fiber only)
- S - Specify

②: Pigtail Type

- 1 - Single fiber pigtail
- 2 - Dual fiber pigtail (for 1.8mm only)
- S - Specify

③: Center Wavelength

- 1 - 1310nm
- 2 - 1550nm
- 3 - 1310/1550nm
- S - Specify

④: Package Dimensions

- 1 - Metal Holder
- 2 - Glass Tube

⑤: Working Distance

- 1 - 5 mm
- S - Specify

⑥: Connector Type

- 1 - FC/UPC
- 2 - SC/UPC
- 3 - LC/UPC
- 4 - ST/UPC
- N - None
- S - Specify

⑦: Fiber Type

- B - 250um bare fiber
- L - 900um loose tube
- S - Specify

⑧: Fiber Length

- C - 1.75 m
- S - Specify

⑨: Lens Type

- G - Grin lens
- C - C lens