



## Polarization Maintaining Optical Circulator

(PM CIR Series)

The Polarization Maintaining Optical Circulator is a compact high performance lightwave component that transmits the incoming signal from port 1 to port 2, while transmitting another incoming signal from port 2 to port 3. The component provides high isolation, low insertion loss, high extinction ratio, and excellent environment stability.

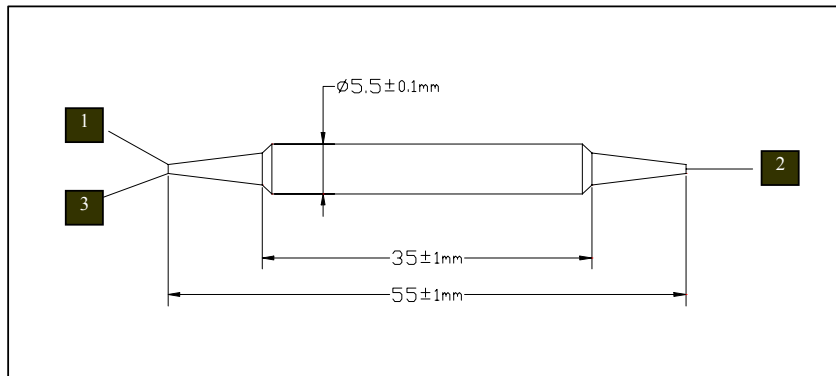
### Specifications

Parameter	Unit	Type A	Type B
Center Wavelength	nm	1310 or 1550	
Operating Wavelength Range	nm	± 30	± 20
Typ. Insertion Loss	dB	0.7	0.6
Max. Insertion Loss	dB	0.9	0.8
Peak Isolation	dB	52	40
Typ. Isolation	dB	46	30
Min. Isolation	dB	40	20
Min. Extinction Ratio	dB	22	20
Min. Cross Talk	dB		50
Min. Return Loss	dB		55
Max. Optical Power	mW		300
Max. Tensile Load	N		5
Operating Temperature	°C		-5 to + 70
Storage Temperature	°C		-40 to +85

\*Above specifications are for device without connector.

\*For devices with connectors, IL will be 0.3dB higher, RL will be 5dB lower, and ER will be 2dB lower.

### Package Dimensions



### Ordering Information

PM CIR-①①-②-③-④-⑤

①①: Wavelength

31 - 1310nm

55 - 1550nm

SS- Specify

②: Type

1 - Type A

2 - Type B

③: Connector Type

1 - FC/UPC

2 - FC/APC

3 - SC/UPC

4 - SC/APC

N - None

S - Specify

④: Fiber Type

B- 250um Panda Fiber

D- 400um Panda Fiber

L- 900um loose tube Panda Fiber

S - Specify

⑤: Fiber Length

Q - 0.75m

S - Specify

Remark: The PM fiber and the connector key are aligned to the slow axis and fast axis is blocked