



1x4 Polarization Maintaining Filter Coupler

(PMFC Series)

The 1x4 PMFC Series is manufactured using advanced filter technology to allow the input polarizing signal to split into 4 fibers by balance ratio or various ratios and maintaining the polarization. It is extensively used in fiber sensors, PM instrumentations and multiple channel splitting.

Specifications

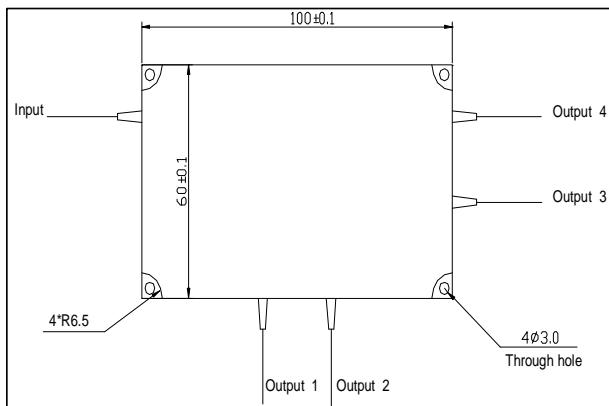
Parameters	Unit	Values
Center Wavelength	nm	1310 or 1550
Operating Wavelength Range	nm	+/-20
Type		1X4
Typ. Excess Loss	dB	1.2
Max.Excess Loss	dB	1.8
Max Uniformity	dB	0.8
Min. Return Loss	dB	55
Min. Directivity	dB	50
Min. Extinction Ratio	dB	20
Max.Optical Power	mW	500
Max. Tensile Load	N	5
Operating Temperature	°C	-5 to +60
Storage Temperature	°C	-40 to +85
Fiber Type		PM 1550 Panda Fiber

* Above specifications are for devices without the connectors

* For devices with connectors, IL will be 0.3dB higher, RL will be 5dB lower, and ER will be 2dB lower.

*The PM fiber and the connector key are aligned to the slow axis

Package Dimensions



Ordering Information

PMFC-①①-②②②②-③③-④-⑤-⑥-⑦

①①: Wavelength

31 - 1310nm

55 - 1550nm

SS - Specify

②②②②: Type

0104 - 1x4

SSSS - Specify

③③: Coupling Ratio

BA - Balance, 25%

SS - Specify

④: Connector Type

1 - FC/UPC

2 - FC/APC

3 - SC/UPC

4 - SC/APC

N - None

S - Specify

⑤: Fiber Type

L - 900um loose tube Panda Fiber

S - Specify

⑥: Fiber Type on Tap port

P - PM 1550 Panda Fiber

S - Specify

⑦: Fiber Length

Q - 0.75m

S - Specify