



RC Fiber Collimator

(RCC Series)

The RC Fiber Collimator is the basic element for in-line RC fiber optics components, such as RC isolator and RCFWDM. It has high extinction ratio, low insertion and high return loss. The unique processing and high quality AR coating also enable this collimator to handle high power.

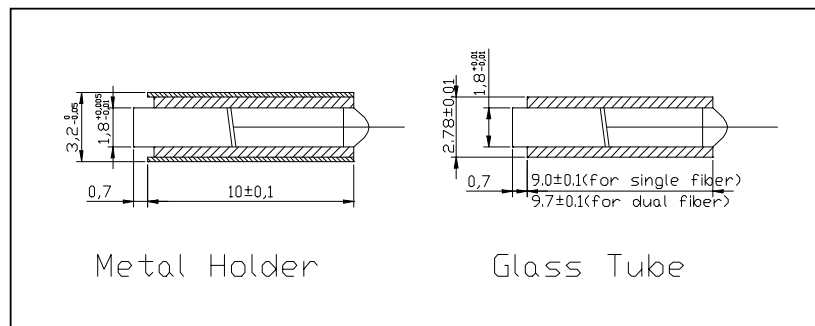


Specifications

Parameters	Unit	Single Fiber	Dual Fiber
Center Wavelength	nm	1550	
Operating Wavelength Range	nm	±20	
Working Distance	mm	5 or Specify	
Typ. Insertion Loss@5mm	dB	0.55	0.6
Max. Insertion Loss@5mm	dB	0.70	0.75
Max. PDL	dB	0.05	
Min. Return Loss	dB	55	
Tensile Load	N	5	
Fiber Type		RC 1550 Fiber or Specify	
Operating Temperature	°C	-5 to +70	
Storage Temperature	°C	-40 to +85	

*Above specifications are for device without connector.

Package Dimensions



Ordering Information

RCC-①-②-③③-④-⑤-⑥-⑦-⑧

①: Lens Diameter

1 - 1.8mm

S - Specify

⑥: Connector Type

N - None

②: Pigtail Type

1 - Single fiber pigtail

2 - Dual fiber pigtail

S - Specify

⑦: Fiber Type

B - 170um bare fiber

L - 900um loose tube

S - Specify

③: Wavelength

1 - 1550nm

S - Specify

⑧: Fiber Length

C - 1.5 m

S - Specify

④: Package Dimensions

1 - Metal holder

2 - Glass tube

⑤: Working Distance

1 - 5 mm

S - Specify