



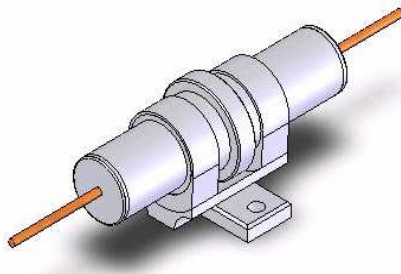
Single Mode Polarization Insensitive Variable Attenuator (Evaluation Version)

(VA Series)

Spec Evaluation No. SE0001

Date: April 4, 2007

The 1060nm VA Series is manufactured using advanced technology to allow the input signal to be attenuated by various attenuation .



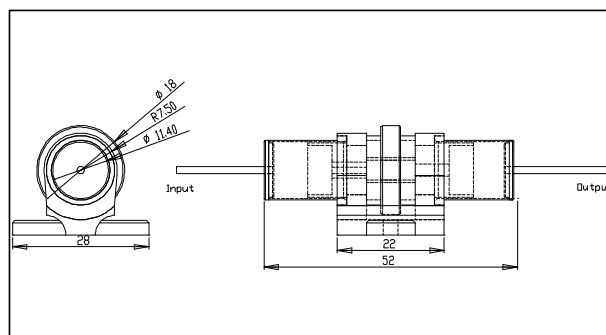
Specifications

Parameter	Unit	Values
Center Wavelength	nm	1060, 1310 or 1550
Operating Wavelength Range	nm	± 20
Port Configuration	-	1x1
Attenuation Range	dB	1.0-50
Min. Return Loss	dB	50
Max. PDL (at the lowest Attenuation)	dB	0.1
Max. Optical Power	mW	300
Max. Tensile Load	N	5
Operating Temperature	°C	-5 to +70
Storage Temperature	°C	-40 to +85
Fiber Type		HI 1060 Fiber for 1060nm and SMF-28 Fiber for 1310nm or 1550nm

Above specifications are for device without connector.

*For devices with connectors, IL will be 0.3dB higher, RL will be 5dB lower.

Package Dimensions



Ordering Information

VA-①①-②-③-④

①①: Wavelength

06 - 1060nm

31 - 1310nm

55 - 1550nm

SS - Specify

②: Connector Type

1 - FC/UPC

2 - FC/APC

3 - SC/UPC

4 - SC/APC

N - None

S - Specify

③: Fiber Type

B - 250um Bare Fiber

L - 900um Loose Tube Fiber

S - Specify

④: Fiber Length

1 - 1.0 m

S - Specify