


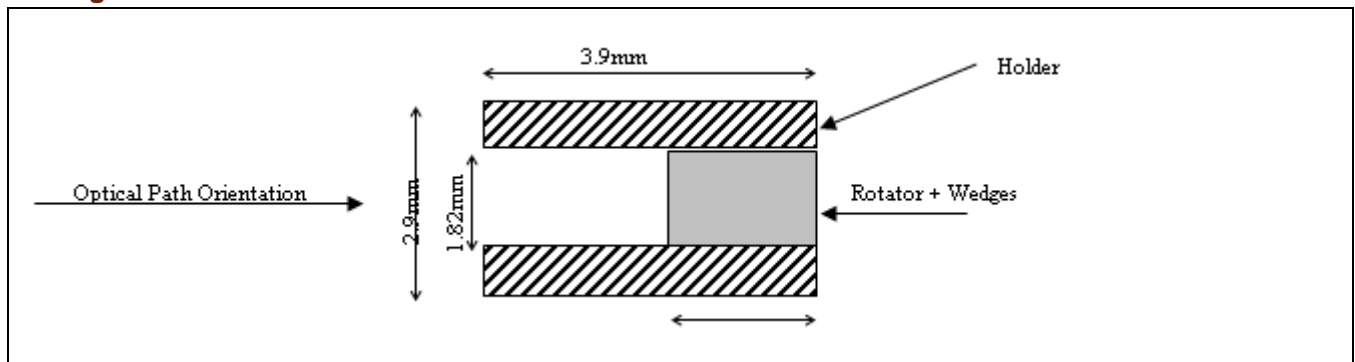
Isolator Core

Features	
High isolation & Low insertion loss Low PDL & PMD Wide Operating Wavelength	
Application	
Isolator Laser Module Integrated Device	

Specifications

Parameters	Value			
	Single Stage	Dual Stage	Single Stage	Dual Stage
Center Wavelength (nm)	1310,1550,1590		1064	
Operating Wavelength Range (nm)	±20		±5	
Typ. Peak Isolation(dB)	42	52	38	52
Isolation at 23°C (dB)	≥32	≥46	≥35	≥48
Insertion Loss at 23°C (dB)	≤0.12	≤0.25	≤1.0	≤2.0
PDL at 23°C (dB)	≤0.05	≤0.05	≤0.05	≤0.1
PMD(ps)	≤ 0.2	≤0.05	-	-
Optical Power (CW)	≤300			
Tensile Load (N)	≤5			
Operating Temperature(°C)	-5 to +70		-5 to +50	
Storage Temperature(°C)	-40 to +85			

Package Dimensions



Ordering Information

IC	Type	Wavelength	Optical Path Orientation
	S= Single stage D = Dual Stage	1064 1310 1550 1590	F = Forward B = Backward