



Specification Review Data Sheet

Spec Review No.: SR0910030A

Date: Oct. 28, 2009

Customer:

Customer P/N:

Description: MM Band pass filter, 915nm

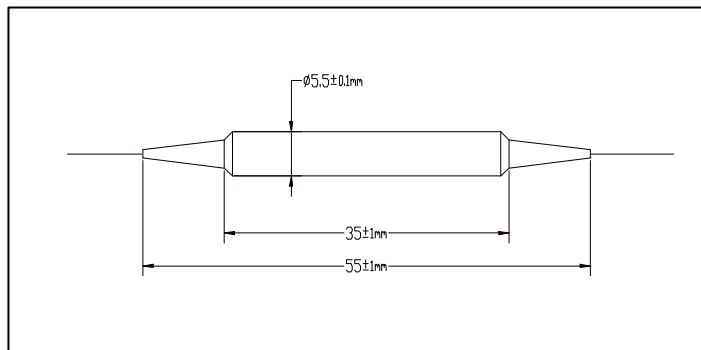
Optizone P/N: MMBPF-915-30-80-NN-B

Specifications

Parameters	Unit	Values
Pass Band	nm	900~930
Max. Insertion Loss over 900~930nm	dB	0.6
Stop Band	nm	1020-1100
Min. Stop Band Isolation	dB	30
Max. PDL	dB	0.1
Min. Optical Return Loss	dB	35
Max. Optical Power(CW,Only for 900-930nm)	W	10
Max. Tensile Load	N	5
Fiber Type		MMF105/125,N-A-0.22
Operating Temperature	°C	-5 to +70
Storage Temperature	°C	-40 to +85

*Above specifications are for device without connector.

Package Dimensions



Ordering Information

MM'BPF-①①①-②②-③③-④④-⑤⑤-⑥

①①①: Wavelength

915- 915nm

SSSS - Specify

②②: Pass Band Width

30 - 30nm

SS - Specify

③③: Stop Band Width

80 - 80nm

SS - Specify

④④: Connector Type for port 1 & 2

1 - FC/UPC

2 - FC/APC

3 - SC/UPC

4 - SC/APC

N - None

S - Specify

⑤⑤: Fiber Jacket for port 1 & 2

B - 250um Bare Fiber

L - 900um Loose Tube

C - 3mm Cable

S - Specify

⑥: Fiber Length

1 - 1.0 m

S - Specify