

SAP-4 Series

FC HOUSING

- for \varnothing 0.9 mm buffered fiber -

TECHNICAL SPECIFICATIONS



SEIKOH GIKEN Co.,Ltd.
Fiber Optic Products Division
296-1, MATSUHIDAI, MATSUDO-SHI,
CHIBA, 270-2214 JAPAN.
TEL: +81-47-388-6111 FAX: +81-47-388-4477

SAP-4 Series FC HOUSING - for \varnothing 0.9 mm buffered fiber -
TECHNICAL SPECIFICATIONS

NAE69D02 "SAP-4 Part"	September	1986
NCD-5DB4-01	December	1995
NCD-5DB4-02	July	1999
NCD-5DB4-03	April	2000
S05-H020-01E	July	2006

Copyright © 1986 - 2006 by **SEIKOH GIKEN Co.,Ltd.**
All right reserved.

The information contained herein shall not be reproduced or disclosed to any third party without the express written consent of SEIKOH GIKEN Co., Ltd.
The specifications contained herein are subject to change without notice.

Please address any questions, comments, and suggestions to:

SEIKOH GIKEN USA, Inc.
Headquarters

4405 International Blvd., Suite B109
Norcross, GA 30093 U.S.A.
TEL: +1-770-279-6602 FAX: +1-770-279-8839

Northeastern Field Office

714 Executive Drive
Princeton, NJ 08540
TEL: +1-609-279-0225 FAX: +1-609-279-0207

Western Field Office

21250 Hawthorne Boulevard, Suite 700
Torrance, CA 90503
TEL: +1-310-792-7450 FAX: +1-310-792-7451

SEIKOH GIKEN Europe GmbH
Frankfurt Branch

Siemensstrasse 9
D-63263 Neu-Isenburg, Germany
TEL: +49-6102-297-701
FAX: +49-6102-297-750

SEIKOH GIKEN Hong Kong Co.,Ltd.

Concordia Plaza 21/F Rm2111,
1 Science Museum Road, Tsim Sha Tsui East,
Kowloon, Hong Kong.
TEL: +852-26206551 FAX: +852-26206525

TABLE OF CONTENTS

Section		Page
1	SCOPE	1
2	PART NUMBER	1
3	GENERAL SPECIFICATIONS	2
3.1	Parts and Materials	2
3.2	Physical Dimensions	2
3.3	General Tolerance	2
3.4	Appearance	2
4	PACKING	3
5	IDENTIFICATION	3
6	HANDLING AND CARE	3
6.1	Conditions of Storage	3
6.2	Precautions of Use	3
6.3	Disposal	3

Table

Table 1	Part Number	1
Table 2	Parts and Materials	2
Table 3	General Tolerance	2

Figure

Figure 1	SAP-4 Series Housing	4
Figure 2 to 8	Dimensions of Parts	5 to 7

1 SCOPE

These specifications apply to the SAP-4 series FC housing - for \varnothing 0.9 mm buffered fiber - supplied by SEIKOH GIKEN Co., Ltd.

2 PART NUMBER

Part number of the housing is shown in Table 1.

Table 1 Part Number

MODEL Number	TYPE Number							
SAP-4	1	8	0	A	1	0	0	G

Boot Color	
1	Black
2	Red
5	Blue
8	Green

Boot I.D. [mm] , Marking	
10	for \varnothing 0.9 buffered fiber, No Marking
80	for \varnothing 0.9 buffered fiber (flame retardant), No Marking

Auxiliary digit	
0	0
0	G

Package	
0	Key-ring installed on frame, Bulk Package
1	Key-ring un-installed on frame, Main body tentatively assembled, Bulk Package

Cap	
3	White Plastic Cap
A	Black Ferrule Cap

3 GENERAL SPECIFICATIONS

3.1 Parts and Materials

Parts and the materials are shown in Table 2.

Table 2 Parts and Materials

No.	Part Name	Qty	Material	Notes
①	Frame	1	Stainless Steel	-
②	Key-ring	1	Beryllium Copper	-
③	Spring	1	Stainless Steel	-
④	Coupling Nut	1	Brass	Nickel Plating
⑤	Stopper	1	-	Assembly of ⑤-a, ⑤-b, ⑤-c
	⑤-a Stopper Body	(1)	Brass	Nickel Plating
	⑤-b Spacer	(1)	Brass	Nickel Plating
	⑤-c Boot	(1)	Silicone	Flammability UL94 V-0 is selectable.
⑥-1	Cap	1	PP	Ferrule Cap, Black
⑥-2			PE	Plastic Cap, White

Note: Item on Table 2 corresponds to the item reference number on Figure 1 to 8.

3.2 Physical Dimensions

Figure 1 shows the SAP-4 series housing.

Figure 2 to 8 show the dimensions of the parts.

- In accordance with IEC 61754-13 Type FC-PC connector family.
- In accordance with JIS C 5970 F01 Type connectors.

3.3 General Tolerances

Permissible deviation in dimensions without tolerance indication is in accordance with ISO 2768-m (JIS B 0405-m), as shown in Table 3.

Table 3 General Tolerance (ISO 2768-m)

Basic size step [mm]		Permissible deviation [mm]
Over	Under	
0.5	3	±0.1
3	6	±0.1
6	30	±0.2
30	120	±0.3

3.4 Appearance

There should be no burr, peeling of plating or scratches that affect the product.

4 PACKING

The product is packed to prevent damage during shipment.

5 IDENTIFICATION

Identification label should indicate the part number and the lot number of the product(s) and should be permanently attached to the packing bag.

6 HANDLING AND CARE

6.1 Conditions of Storage

Keep the product, in the packing bag, at the following conditions for its storage.

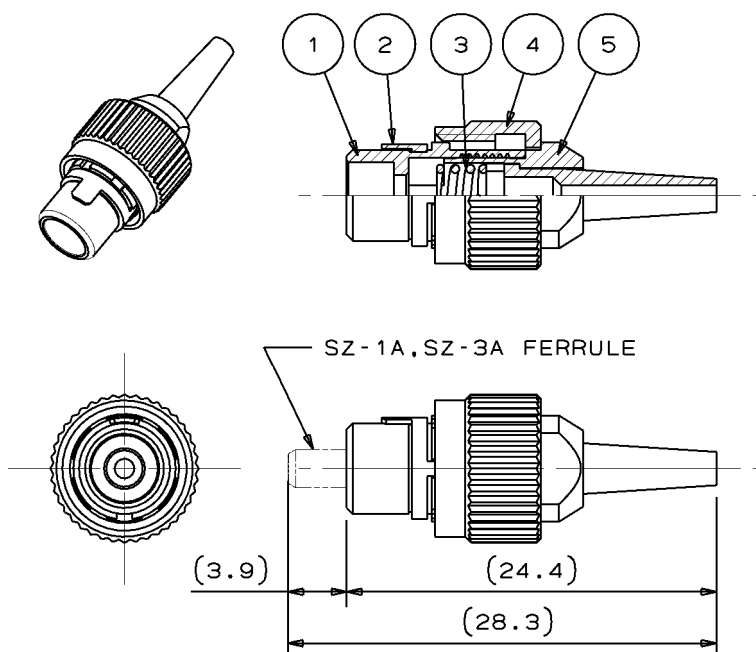
- Storage temperature: -40 to +85 degrees C
- Storage humidity: 0 to 85%RH, non-condensing

6.2 Precautions for Use

Contamination, oil, sweat and others debris on the ferrule end face may influence the performance of the product. If contamination is on the ferrule end face, wipe the end face with the end face cleaner.

6.3 Disposal

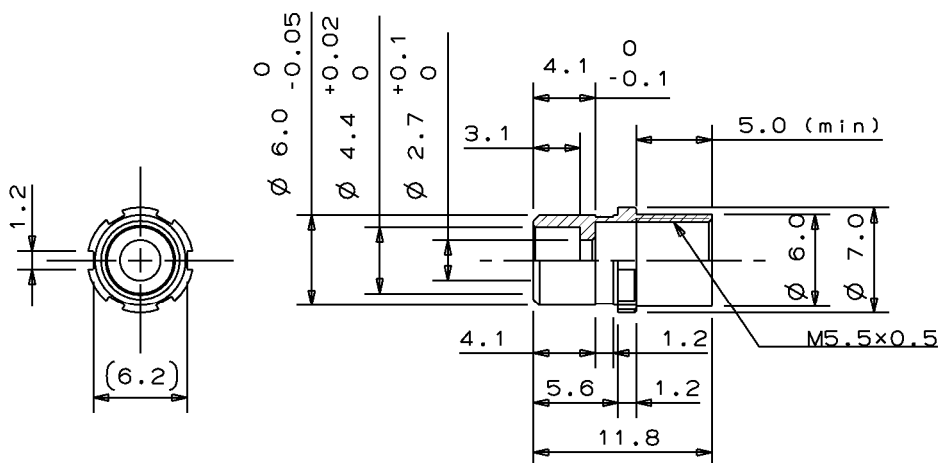
When discarding this product, please follow the regulations of your own country.



- Notes: 1 This drawing shows the tentatively assembled condition including a ferrule.
2 This drawing does not include the cap.
3 The ferrule is not included in SAP-4 housing.

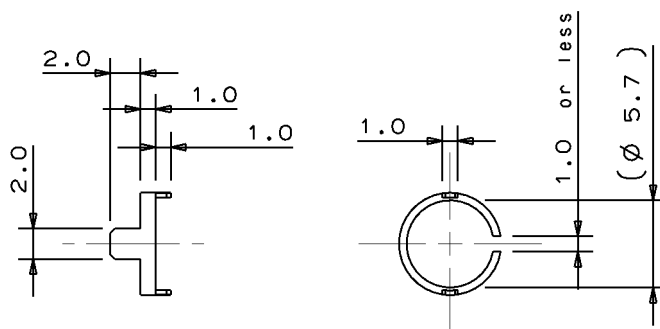
Unit: mm

Figure 1 SAP-4 Series Housing



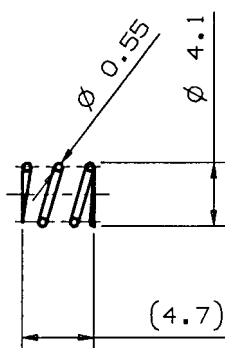
Unit: mm

Figure 2 ①Frame



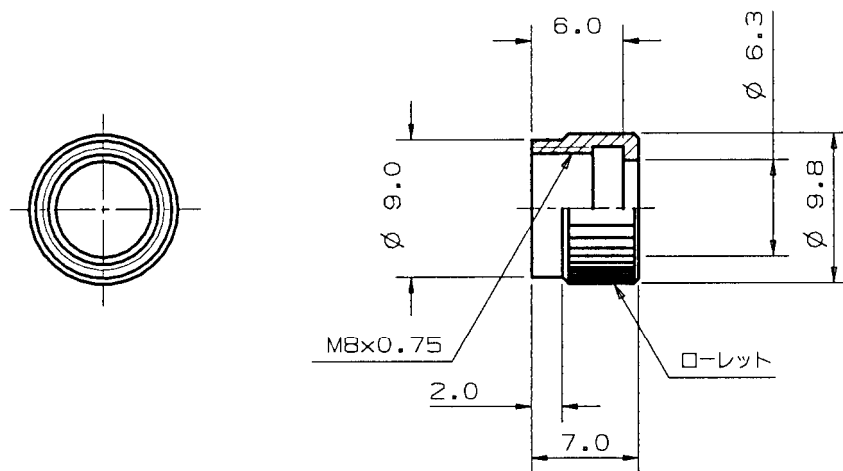
Unit: mm

Figure 3 ②Key-ring



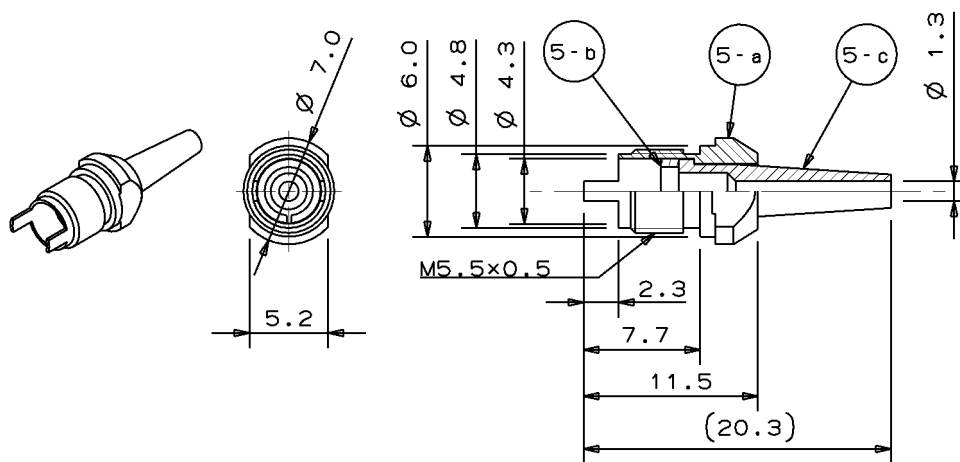
Unit: mm

Figure 4 ③Spring



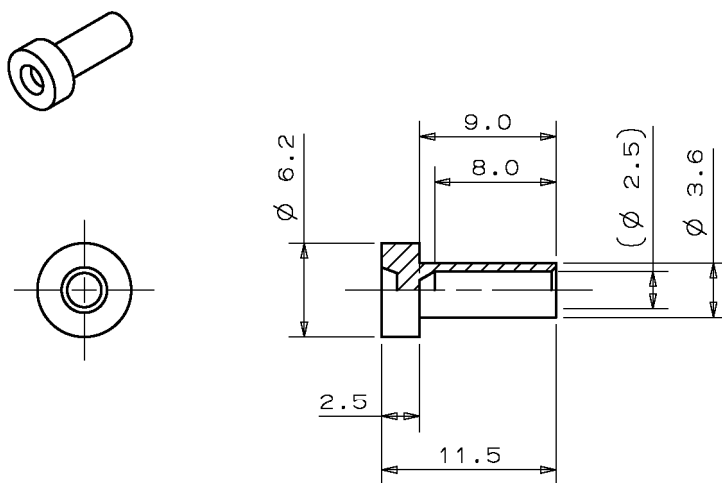
Unit: mm

Figure 5 ④Coupling Nut



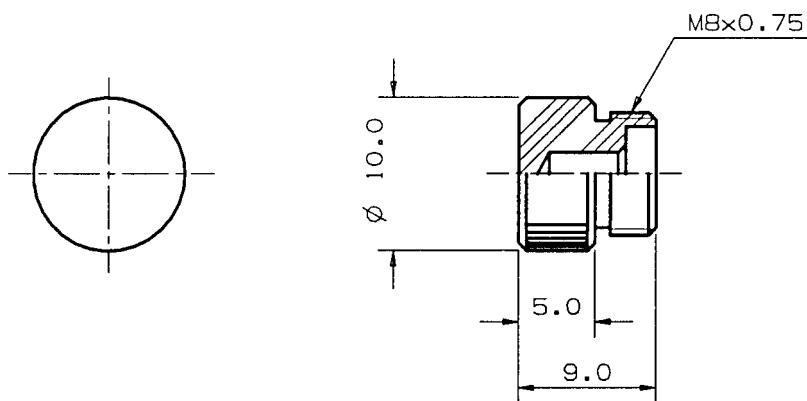
Unit: mm

Figure 6 ⑤Stopper



Unit: mm

Figure 7 ◎-1 Cap (Ferrule Cap)



Unit: mm

Figure 8 ◎-2 Cap (Plastic Cap)