

Product Overview

Optical PIN-TIA Module

Features

- InGaAs PIN-TIA
- Operating Wavelength from 1100nm to 1600nm
- Low Dark Current,Low Noise
- Excellent Reliability
- Operation Temperature -40°C to +85°C

Absolute Maximum Rating

| Parameter | Min | Max | Unit |
|-----------------------------|-----|------|------|
| Operating temperature | -40 | +85 | °C |
| Storage temperature | -40 | +85 | °C |
| TIA Supply Voltage | 0 | +4.5 | V |
| Operation Relative Humidity | | 85 | % |

Operating Environment

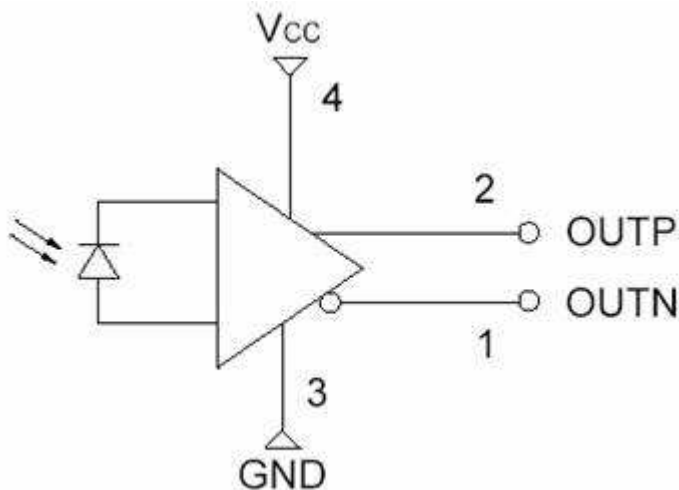
| Parameter | Min | Typ | Max | Unit |
|-----------------------|-----|-----|-----|------|
| Operating temperature | -40 | +25 | +85 | °C |
| TIA Supply Voltage | 3.1 | 3.3 | 3.5 | V |

Opto – Electrical Characteristic (Tc=-40~+85°C, Vcc=3.1~3.5V,unless otherwise specified)

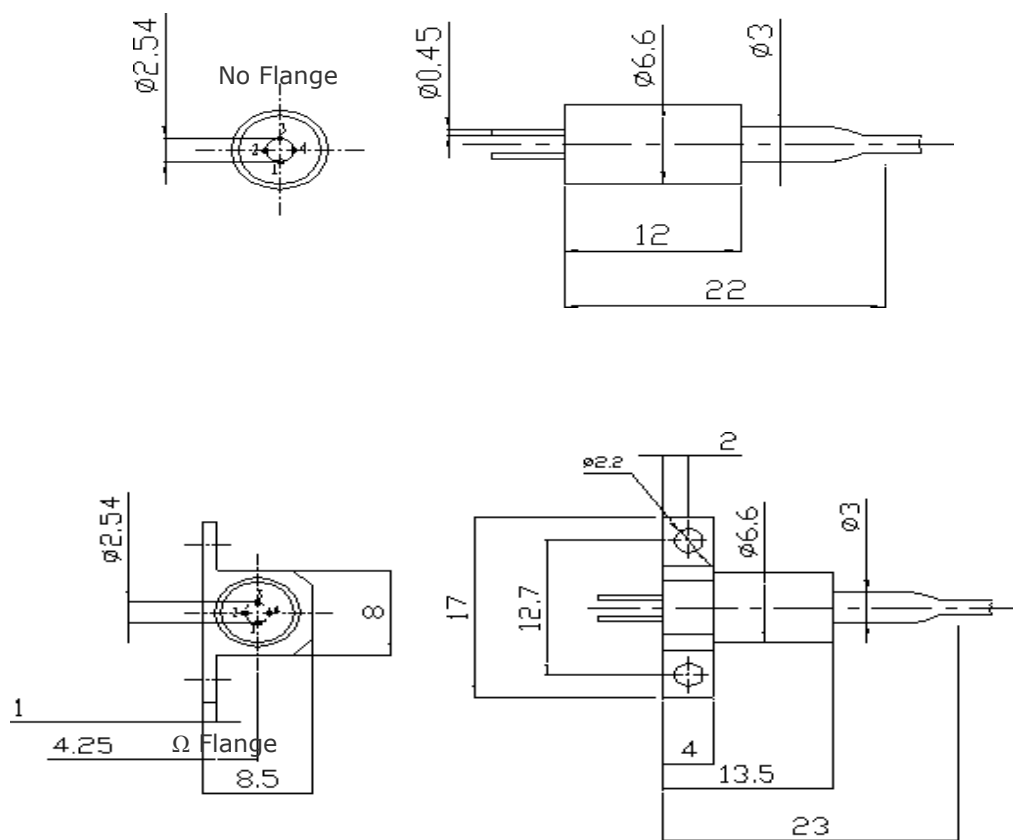
| Parameter | Symbol | Test Conditions | Min | Typ | Max | Unit |
|---------------------|-----------|---------------------------|------|------|------|------|
| Optical Wavelength | λ | - | 1260 | - | 1650 | nm |
| Supply Current | Icc | DC | - | 20 | 25 | mA |
| -3dB Bandwidth | Bw | AC, RL=50Ω, SR**-1 | 70 | 90 | - | MHz |
| | | SR**-2 | 375 | 415 | - | MHZ |
| | | SR**-3 | 750 | - | - | MHZ |
| Optical sensitivity | Pr | λ =1310nm, SR**-4 | 1750 | 1800 | - | |
| | | AC, RL=50Ω,NRZ, SR**-1 | - | -39 | -37 | |
| | | SR**-2 | - | -34 | -31 | dBm |
| | | PRBR=2 ^ 23-1, SR**-3 | - | - | -24 | |

| | | | | | | | |
|------------------|----|-------------------------|--------------|----|-----|-----|-----|
| | | BER=10 ⁻¹⁰ , | SR**=4 | - | -24 | -22 | |
| Saturation Power | Ps | λ=1310nm | | -3 | 0 | - | dBm |
| Output Impedance | Zo | | - | - | 50 | - | Ω |
| Transimpedance | Zt | | Differential | 52 | 62 | 70 | KΩ |

Schematic Circuit



Package Information



Ordering Information

SR □ □ - □ - □ □ □

| Wavelength,IC Voltage,Module type | Package type | Data rate (b/s) | Flange & Mounting Bracket type | Connect type | Pigtail type |
|-----------------------------------|---|-----------------|--------------------------------|---------------|----------------|
| 1: long wave 5v PIN+TIA | 1: 3-pin coaxial, pigtail | 1: 155M | 1: no flange | 1: no connect | S: single Mode |
| 2: long wave 3.3v PIN+TIA | 2: 4-pin coaxial, receptac -le, without fiber stub | 2: 622M | 2: Ω Flange | 2: FC/PC | M: Multi Mode |
| 3: long wave 5v APD+TIA | 3: 4-pin coaxial, pigtail | 3: 1.25G | | 3: FC/APC | |
| 4: long wave 3.3v APD+TIA | 4: 5-pin coaxial, receptac -le, without fiber stub | 4: 2.5G | | 3: SC/PC | |
| 5: short wave 5v PIN+TIA | 5: 5-pin coaxial, pigtail | | | 4: SC/APC | |
| 6: short wave 3.3v PIN+TIA | 6: 4-pin coaxial, receptac -le, with fiber stub | | | 5: ST/PC | |
| 7: PIN | | | | | |

Products:

Tel:0086-755-89933548

Fax:0086-755-89933512

E-mail:

© Copyright 2005, ShenZhen Star Optoelectronic Technology Co., Ltd. All Rights Reserved.