

Features

- Transceiver unit with independent
 - 1310nm MQW FP Laser diode transmitter
 - InGaAs PIN photodiode receiver
- Duplex SC receptacle and plastic package
- +5V Signal power supply, PECL interface logic level
- Operate data rates from 5Mb/s to 700Mb/s (NRZ)
- Qualified to meet the intent of Bellcore reliability practices
- Intermediate and long reach SONET/SDH OC-3/STM-1 compliant.

Application

- SONET/SDH
- ATM

General

The optical transceiver is a high performance, cost effective module for serial optical data communication applications. It is designed to provide a SONET/SDH compliant link for OC-12/STM-4 intermediate and long reach links.

Transmitter Section

Transmitter is designed for single mode fiber and operates at a nominal wavelength of 1310nm. The transmitter module uses a MQW FP laser diode and full IEC825 and CDRH class 1 eye safety. It contains APC function, temperature compensation circuit and PECL logic interface, as shown in figure 1.

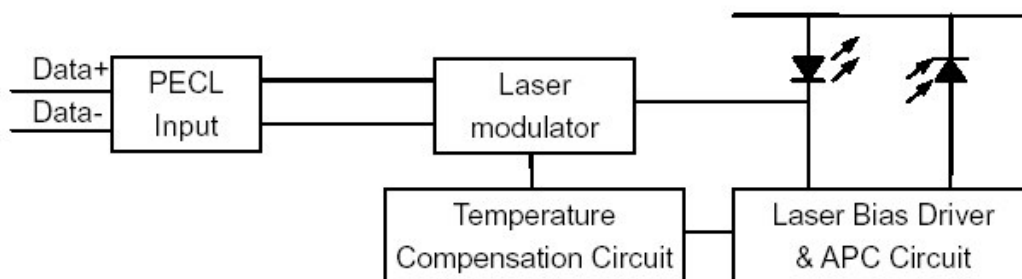


Figure 1. Transmitter Block Diagram

Receiver Section

The receiver section uses a hermetic packaged front and receiver (InGaAs PIN and preamplifier). The postamplifier is ac coupled to preamplifier through a capacitor and a low pass filter, as shown in figure 2. The capacitor and LPF are enough to pass the signal from 5Mb/s to 700Mb/s without significant distortion or performance penalty. The LPF limits the preamplifier bandwidth to improve receiver sensitivity. Figure 2 shows the receiver section, which provides PECL logic differential outputs and a logic signal detect output.

As the input optical is decreased, Signal Detect will switch from high to low (deassert point). As the input optical power is increased from very low levels, Signal Detect will switch back from low to high (assert point). The assert level will be at least 0.5dB higher than the de-assert level.

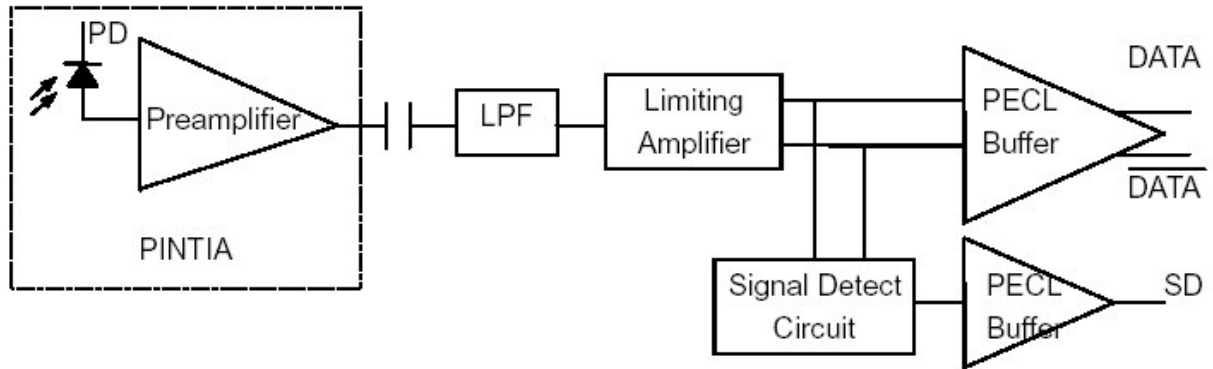


Figure 2. Receiver Block Diagram

Performance Specifications

Table1. Absolute Maximum Ratings

Parameter	Symbol	Min	Max	Unit	
Storage Temperature	Tst	-40	+85	°C	
Input Voltage	-	GND	Vcc	V	
Power Supply Voltage	Vcc-Vee	0	+6	V	
Lead Soldering Temperature/Time	-	-	240/10	°C/S	
Operating Temperature	To	SSTR3141-15-113	0	+70	°C
		SSTR3141-15-213	-40	+85	

Note: Stress in excess of maximum absolute ratings can cause permanent damage to the module

Tabel2. Operating Environment

Parameter	Symbol	Min	Max	Unit	
Power Supply Voltage	Vcc	+4.75	+5.25	V	
Ambient Operating Temperature	Tc	SSTR3141-15-113	0	+70	°C
		SSTR3141-15-213	-40	+85	°C

Table 3. Optical and Electrical Characteristics

Parameter	Symbol	Min	Typ	Max	Unit	Note	
Transmitter							
Center Wavelength	λ_p	SSTR3141-15-113	1274	1310	1356	nm	-
		SSTR3141-15-213	1296	1310	1330		1
Spectral Width	$\Delta\lambda(RMS)$	SSTR3141-15-113	-	-	2.5	nm	-
		SSTR3141-15-213	-	-	1.7		1
Average Optical Output Power	P_o	SSTR3141-15-113	-15	-	-8	dBm	-
		SSTR3141-15-213	-3	-	+2		
Extinction Ratio	EX/T	SSTR3141-15-113	8.2	-	-	dB	-
		SSTR3141-15-213	10	-	-		
Power Supply Current	I_{cc}	-	70	180	mA	2	
Output Eye	Compliant with Bellcore TR-NWT-000253 and ITU recommendation G.957						
Data Input	PECL						
Receiver							
Parameter	Symbol	Min	Typ	Max	Unit	Note	
Sensitivity	P_r	-	-31	-28	dBm	3	
Maximum input power	P_s	SSTR3141-15-113	-6	-	-	dBm	3
		SSTR3141-15-213	-3	0	-		
Signal Detect Assert Level	-	-40	-	-	dBm		
Signal Detect Deassert Level	-	-	-	-28	dBm		
Signal Detect Hysteresis	-	-	3	-	dB		
Power Supply Current	I_{cc}	-	80	100	mA	2	
Data Outputs	PECL						
Alarm Output	PECL						

PECL Input Pins SD, TD+ and TD-

Parameter	Symbol	Min	Typ	Max	Unit	Note
Input HIGH voltage	V_{IH}	VCC - 1165	-	VCC - 880	mV	4
Input LOW voltage	V_{IL}	VCC - 1810	-	VCC - 1475	mV	4

PECL Output Pins SD, RD+ and RD-

Parameter	Symbol	Min	Typ	Max	Unit	Note
LOW-level output voltage	V_{OL}	VCC - 1840	-	VCC - 1600	mV	4
HIGH-level output voltage	V_{OH}	VCC - 1100	-	VCC - 900	mV	4

Note :

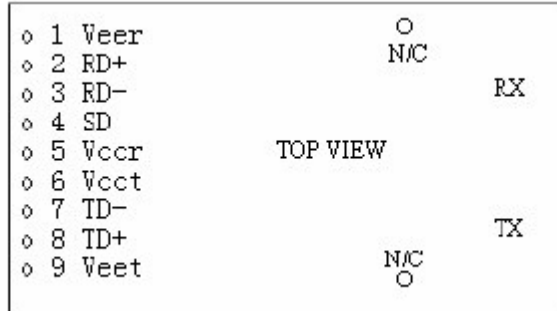
1. Test condition : T=25°C
2. The current excludes the output load current.

3. Minimum Sensitivity and saturation levels for a 2²³-1 PRBS with 72 ones and 72 zeros inserted (ITU recommendation G958)

4. RL=50 R (Ohms) connected to a level of VCC-2V

Pin Definitions

Pin Out Diagram

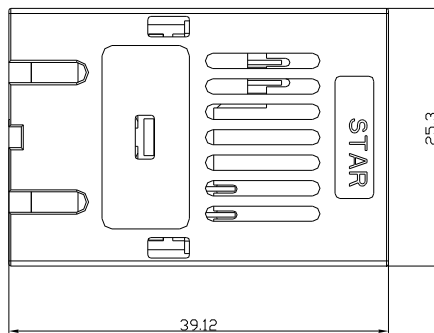
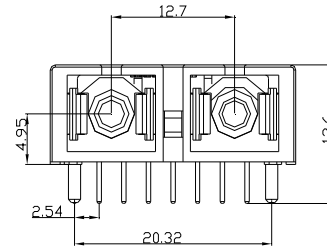
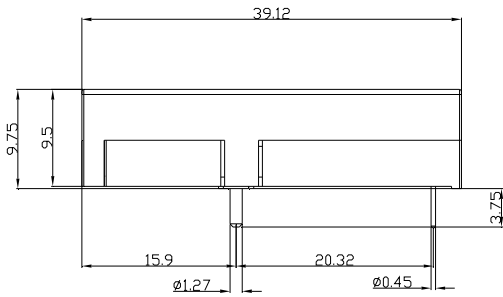


Pin Description

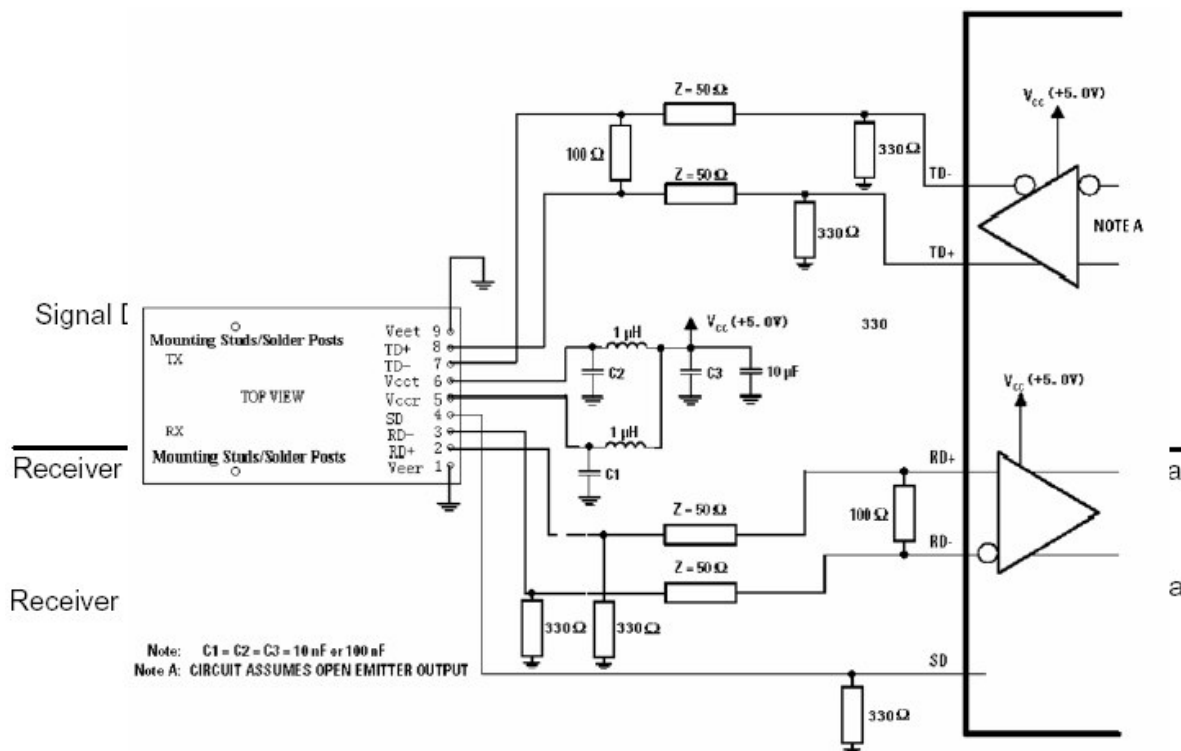
Pin #	Pin Name	Logic Level	Description	
N/C	Mounting Studs	-	The two pins are not connected to the transceiver internal circuit.	
1	VEER	RX Ground	N/C	Directly connect this pin to receiver signal ground plane.
2	RD+	RX Output Data	PECL	
3	RD-	RX Output Inverted Data	PECL	
4	SD	RX Signal Detect	PECL	Normal Operation: Logic "1" output, represents that optical is present at receiver input. Fault Condition: Logic "0" output
5	VCCR	RX Power Supply	N/C	Provide +5V DC through the recommended power supply filter circuit. Place the filter circuit as close as possible to the VCCR pin.
6	VCCT	TX Power Supply	N/C	Provide +5V DC through the recommended power supply filter circuit. Place the filter circuit as close as possible to the VCCT pin
7	TD-	TX Invert Data Input	PECL	-
8	TD+	TX Data Input	PECL	-
9	VEET	TX Ground	N/C	Directly connect this pin to transmitter signal ground plane.

Package Information

Unit: mm



Recommended Circuit



Application Cautions

There are a few fundamental guidelines to follow when designing the transceiver circuit interface. On the board, every data connection should be an impedance match. The differential PECL data inputs and outputs line should be treated as 50 ohm microstrip line, and vias should be avoided. The matching resistor should be placed at the end of each matched line. The transceiver is high frequency, high bandwidth circuits. To ensure stability, use good high frequency layout techniques. Filter voltage supplies, and keep ground connections short. Use multiple vias where possible. Use 50 ohm microstrip line to connect the transceiver data inputs and outputs to other circuit.

Obtaining Document

Please visit our website:

[Http://www.staropto.com](http://www.staropto.com)

Copyright Star Opto Co., Ltd. 2005

All Rights Reserved.

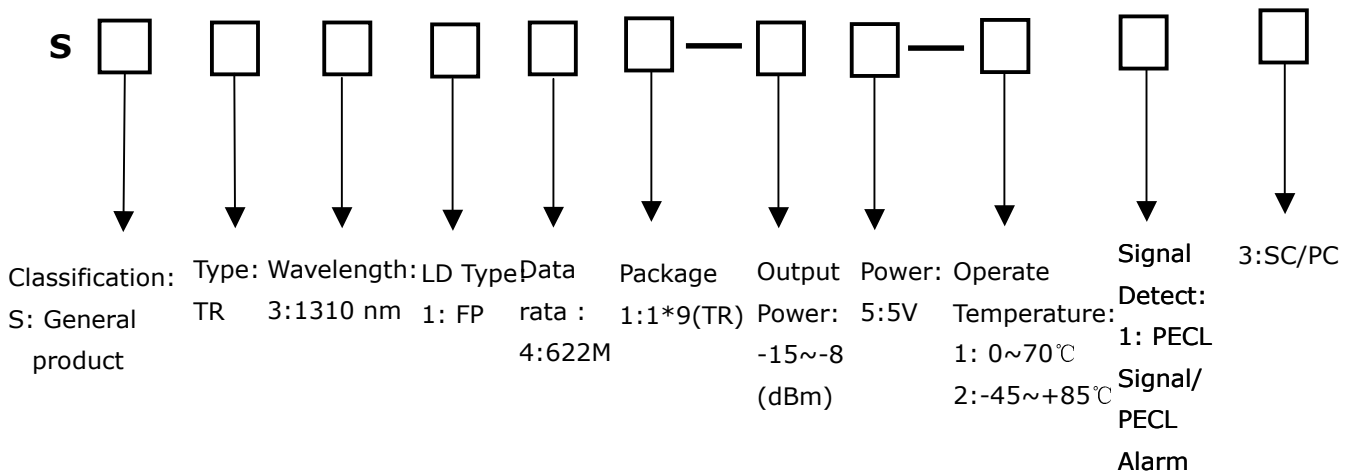
All information contained in this document is subject to change without notice. The products described in this document are NOT intended for use in implantation or other life support applications where malfunction may result in injury or death to persons.

The information contained in this document dose not affect or change Star's product specifications or warranties. Nothing in this document shall operate as an express or implied license or indemnity under the intellectual property rights of Star or third parties. All information contained in this document was obtained in the specific environments, and is presented as an illustration. The results obtained in other

operating environment may vary.

The information contained in this document is provided on an "as is" basis. In no event will Star be liable for the damages arising directly from any use of the information contained in this document.

Ordering Information



Product type	Product Information
SSTR3141-15-113	1×9 1310nm 622Mb/s 0~70℃
SSTR3141-15-213	1×9 1310nm 622Mb/s -45~+85℃