

F10-155S Series TM Mode SDH User Guide

Version: 2.1

Released: April, 2005

Thanks for using the products from Beijing Fibrage Co., LTD.

Please note We Reserve the right to vary descriptions and specifications without notice due to Fibrage's policy of continuous product improvement.

Beijing Fibrage Co., LTD.

Address: A402, Power Creative Building, NO.1 Shangdi East RD., Haidian District, Beijing

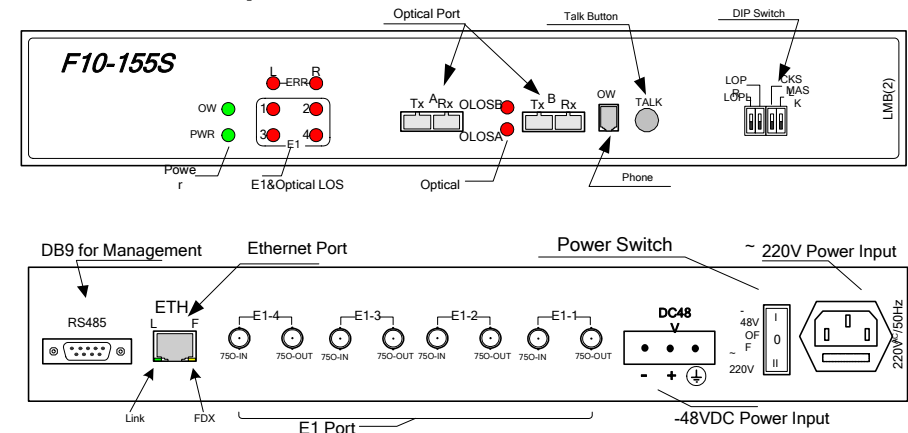
Tel: +86-10-58858988

Fax: +86-10-58858520

Email: info@fibrage.com

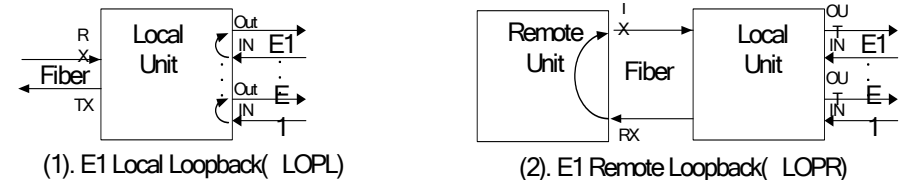
Website: http://www.fibrage.com

1. Panel Descriptions



Description of the DIP Switch:

ITEM	Description
LOPL	Set all the 4 E1 port of the Local device as looping mode. 'OFF' normal working, 'ON' local loop-back mode.
LOPR	Set all the 4 E1 port of the Remote device as looping mode. 'OFF' normal working, 'ON' local loop-back mode.
CKSL	Timing Mode selecting: 'OFF': Internal Clock 'ON': Recovered from line clock
MASK	Mask E1 error. 'OFF': Normal working, 'ON': Mask setting



Description of LOPL and LOPR



NOTE:

If LOPL and LOPR are set to ON at the same time, the device will work normally.

2. LEDs Descriptions

Item	Color	Description	NOTE
PWR	G	5V power status. ON is normal	
OW	G	Phone calling status	
ERR-L	R	Bit error indicator of local unit ON or quick blink (half second) : bit error $>10^{-7}$ Slow blink (one second): bit errors $\leq 10^{-7}$ OFF : No bit error	
ERR-R	R	Bit error indicator of remotel unit ON or quick blink (half second) : bit error $>10^{-7}$ Slow blink (one second): bit errors $\leq 10^{-7}$ OFF : No bit error	
E1-1	R	1 st	E1 channel status ON : E1 LOS Quick blink (half second): E1 ALS Slow blink (one second): E1 is set as loop-back mode OFF : Normal working
E1-2	R	2 nd	
E1-3	R	3 rd	
E1-4	R	4 th	
OLOS	R	Optical port status indicator: ON : Optical port signal LOS Blink : Optical port signal LOF OFF : Normal working	Only for one optical port
OLOSA	R	1 st Optical port status indicator: ON : Optical port signal LOS Blink : Current working optical port has LOF OFF : Normal working	Only for 1+1 backup optical ports
OLOS B	R	2 nd Optical port status indicator: ON : Optical port signal LOS Blink : Current working optical port has LOF OFF : Normal working	
ETH-L	G	Ethernet Link status: ON : Ethernet Link normally OFF : Ethernet not link	Beside the Ethernet Jack on the back panel
ETH-F	Y	Ethernet Duplex status: ON : Ethernet working on Full Duplex OFF : Ethernet working on Half Duplex Blink : Some collisions occur.	

R: RED; G: GREEN; Y: YELLOW

3. RS485 Definitions

This port is for management!

Pin	5	6	7	8	9
Definition	GND	Rx-	Rx+	Tx-	Tx+

4. Specifications

SDH Optical Port: 155520kbit/s (STM-1, G.957, G.707)。

E1 Port: ITU-T G.703, 2048kbit/s ± 50 ppm, Code: HDB3, Impedance: 75 Ω .

Ethernet Port: 10/100Mbps auto negotiation. Bandwidth Control: 0~100 Mbps line speed, step as 1Mbps. Half/Full Duplex support auto-negotiation. Support MDI & MDI-X auto selectable.

Management port: 4-wire RS-485, default bit speed is 2400.

Power: -48V or ~220V(176V ~ 260V)

Power consumption: ≤ 8 WWork Condition: 5 $^{\circ}$ C ~ 45 $^{\circ}$ C, Humidity ≤ 90 % (no condensing) 。Size: 440(W) \times 44(H) \times 138(D)

5. Order Information

Part Number

F10-155S4-S042F13 4E1, one 10/100Mbps Ethernet, 40km, FC/PC, 1310nm

F10-155S4-S042F 4E1, without Ethernet, 40km, FC/PC, 1310nm

F10-155S8-S042F13 8E1, one Ethernet, 40km, FC/PC, 1310nm

F10-155S8-S042F 8E1, without Ethernet, 40km, FC/PC, 1310nm

F10-155S16-S042F13	16E1, one Ethernet, 40km, FC/PC, 1310nm
F10-155S16-S042F	16E1, without Ethernet, 40km, FC/PC, 1310nm
F10-155S21-S042F13	21E1, one Ethernet, 40km, FC/PC, 1310nm
F10-155S21-S042F	21E1, without Ethernet, 40km, FC/PC, 1310nm
F10-155S63-S042F13	21E1, one Ethernet, 40km, FC/PC, 1310nm
F10-155S63-S042F	21E1, without Ethernet, 40km, FC/PC, 1310nm