

F3 Series Mode Converter

Overview

F3 series Mode Converter is used to make exchange among 850nm, 1310nm multimode optical port and 1310nm, 1550nm single mode optical port, support 155Mbps Optical port. The device is independent of protocol of the optical port.



F3 series module can be installed in our 16 slots chassis.

Features

- ◆ Used for connecting 155Mbps Optical port, independent of protocol
- ◆ Multi-mode transfer distance :2KM
- ◆ Single mode maximum distance up to 100Km
- ◆ Working state is very clear with LED
- ◆ Internal power supply, including AC220V or DC-48V
- ◆ The power consumption is less than 3W

Specification

1、 Optical port

- 1) 155Mbps Optical port
- 2) Connectors: SC/ST/FC single mode or multimode
- 3) Single mode optical wavelength:1310nm and 1550nm
- 4) Multimode optical wavelength: 850nm and 1310nm
- 5) Compatible with the multimode fiber of 50/125, 62.5/125, 100/140 μ m

And single mode fiber of 8.3/125, 8.7/125, 9/125, 10/125 μ m

2、 General

Work Temperature: 0~50°C

Humidity: 5%~90%(non-condensing)

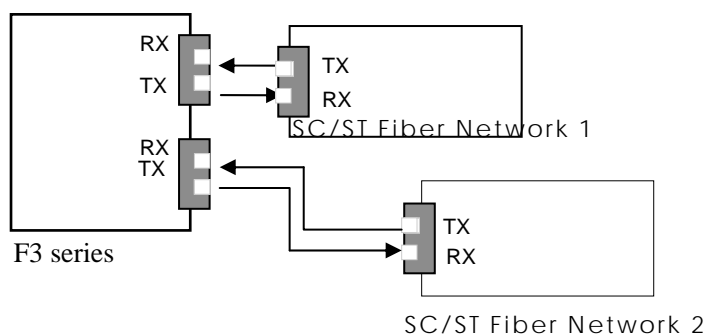
Dimension: 170mm(width)×134mm(deep)×40mm(high)

AC Power: 160VAC~260VAC

3、 LED Description:

LED	Color	Function	Status	Description
PWR1	Green	1 Module power	ON	Power supply OK
PWR2	Green	2 Module power	ON	Power supply OK
FX-LINK1	Green	Optical port 1 connecting indication	ON	Optical port 1 links OK
FX-LINK2	Green	Fiber port 2 connecting indication	ON	Optical port links OK

Installation:



Order Information

F3-M712CCA

Multimode 850 to Multimode 1310 mode converter, SC to SC, standalone, AC220 power

F3-B71204CCA

Multimode 850 to Single mode 1310 mode converter, 40Km, SC to SC, standalone, AC220 power

F3-S72304CCA

Single mode 1310 to single mode 1550 mode converter, 40Km, SC to SC, standalone, AC220 power