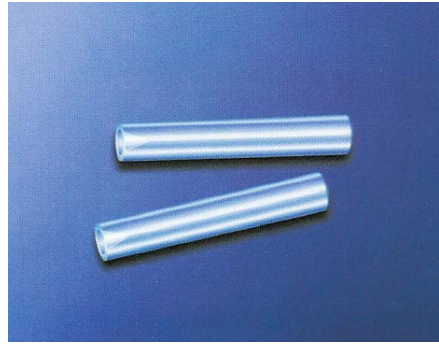


Fiber Optic Glass Ferrule

(patent pending)

Product Description

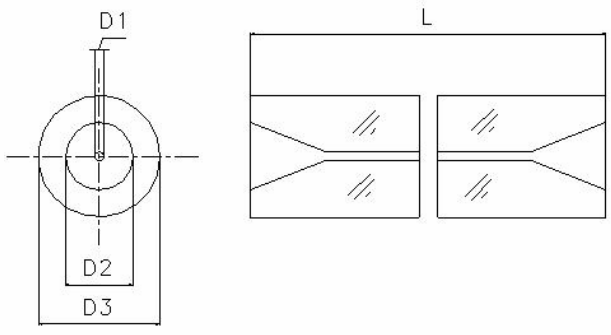
Glass ferrule is a precision cylindrical capillary tube having tapered aperture or apertures at the end or both ends of the bore. Our glass ferrules are designed for fiber optic collimators and fiberoptic packages, reducing the complexity and cost associated with fiberoptic component manufacture. The glass has excellent mechanical and thermal property.



Features

- Non-Organic
- High Reliability
- Low Insertion Loss
- Rugged
- Compact
- Cost Effective

Mechanical Dimensions (mm)



L	11.0 ± 0.1(mm)
D1	∅ 0.13 ± 0.003(mm)
D2	∅ 1.0 ± 0.01(mm)
D3	∅ 1.80 ± 0/-0.005(mm)