



DTS Raman Source

1. Product Description

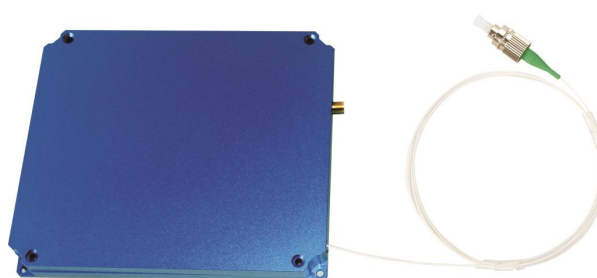
Beogold's DTS Raman source is widely used in DTS distributed temperature sensing systems, laser ranging, and fiber optic sensing systems. Its newly designed nanosecond pulse drive circuit provides stable pulse with small deformation and its optimized low-noise EDFA can achieve high peak nanosecond pulse output, which can be easily controlled via upper computer software.

The module integrates pulse signal generator inside. It can also be triggered via an external signal.

Rigorous environmental testing ensures its long-term reliability and stability, making it ideal for OEM integration.

2. Features

- High output peak power
- Operating temperature: -10~60°C
- Tunable pulse width
- High stability and reliability



3. Applications

- DTS temperature measuring
- Laser ranging
- Lab research
- Fiber optic sensing system

4. Optical Specifications

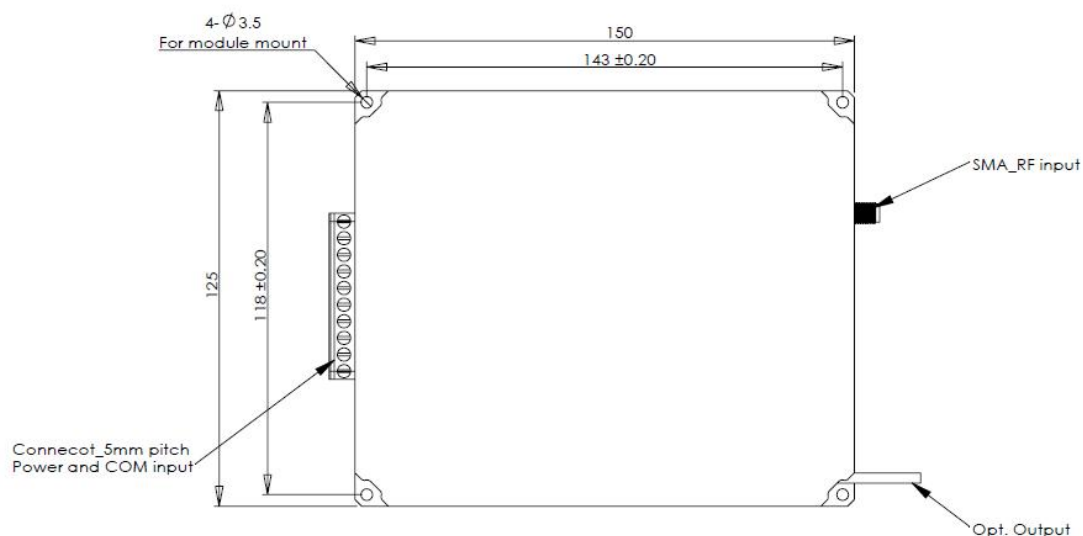
Parameter	Unit	Minimum	Typical	Maximum
Operating Wavelength	nm	-	1550.12	-
Output Peak Power	W	0.1	30	30
Pulse Width	ns	5	5	100
Repeat Frequency	KHz	0.01	10	100
-3db Spectral Width	nm	-	-	0.3
Output Stability	%	-	-	1
SMSR	dB	50	-	-
Output Isolation	dB	45	-	-
Working Temperature	°C	-10	-	60
Storage Temperature	°C	-40	-	80
Humidity	%	5	-	90
Fiber Bend Diameter	mm	30	-	-
Power Supply		DC +5V GND		
Consumption	W	-	-	15
Dimension	mm	150*125*19		
Connector	Input	Output		



	SMA	FC/APC		
Pigtail Fiber	MMF 62.5/125 1m loose tube			
Communication User Interface	Read and set output power			

5. Mechanical Structure

Structure Type	Parameter	Description	Unit	Remarks
Module	Dimension	150x125x19	mm	Optional
	Power Supply	DC +/-5V/GND		Typical
	Fiber Connector	FC/APC		Optional



6. Electrical Specifications

Structure Type	Parameter	Description	Unit	Remarks
Module	Power Supply	DC +/-5V/GND		
	Power Consumption	<10	W	Room temperature

7. Ordering Information

