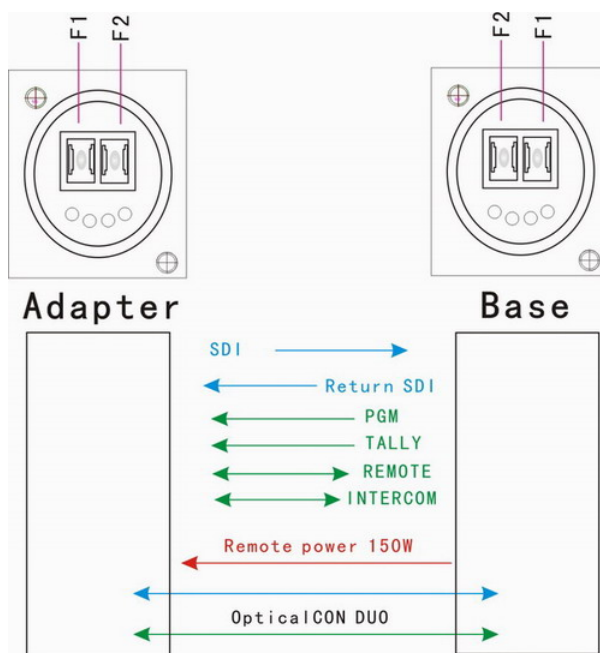




EFP To Fiber with OpticalCON power supply

Description:

BY-EFP-408 includes a Camera Optic Adaptor and a Optic Base Station. The system transports a 3G/HD-SDI signal from the camera to the Base Station and a return video (3G/HD-SDI), Sony or Panasonic Remote control data, TC/BB/Genlock, intercom(Camera end can be connected professional 4-pin or 5-pin XLR headset, OB end can be connected Clearcom or RTS , etc intercom main station), tally(One color or two colors can be selected). Remote camera power supply (14VDC up to 150 Watts).The system puts all of the signals needed for multi-camera 3G/HD-SDI production on a SMPTE hybrid cable, insuring robust, trouble-free connectivity on any studio or remote production..

**Application:**

1. Television Broadcast(studio):
 - Sports
 - News
 - SNG
 - Trackside
2. Links Between in-field and OB van(outside broadcast truck)

Features:

- Handle all Pathological patterns
- Automatic cable equalization to ensure signal integrity
- 3G/HD/SD-SDI input auto recognition, support 270Mbit/s - 2.97Gbit/s according to SMPTE 424M, SMPTE 292M and SMPTE 259M
- 300+m on SMPTE hybrid cable
- RS422 remote control
- Tally LED+/- output or dry Contact Closure optional
- V-mount or A-mount battery plate optional
- Remote camera power supply (14VDC up to 150 Watts), with insertion detection protection
- Priority selection of hybrid cable power supply, with battery charge protection
- Lemo SMPTE 304 or Neutrik OpticalCON DUO hybrid connector

Specifications:**General index:**

Work Temp	-25°C to 55°C
Storage Temp	-40°C to 85°C
humidity	0 ~ 95% (non-condensing)
Camera Optic Adaptor	
Input power	DC 11~19V
Power consumption	<10W
Net weight	1kg
Appearance size	188mm*116mm*45mm (without V-mount / A-mount)
Optic Base Station	
Input power	AC90~240V
Power consumption	<10W
Net weight	3kg
Appearance size	19" 1U standard rack mount

Optical:

Wavelength	1310nm / 1550nm / CWDM
Output Power	-6~-1dBm
Rx sensitivity	<-18dBm
Transmission Distance	Remote power 150W, SMPTE hybrid cable 200+m
Optical connector	Lemo SMPTE 304 / Neutrik OpticalCON DUO Camera end can be rotated 90 degrees

SDI input/output:

Signal format	SMPTE 424M, SMPTE 292M, SMPTE 259M
Data rate	270Mbit/s - 1.48Gbit/s - 3Gbit/s
Cable Equalization	Automatic cable EQ (Belden 1694A cable) 250m @ 270Mbit/s, 140m @ 1.5Gbit/s, 80m @ 3Gbit/s
SDI interface	BNC 75 Ohm

Intercom:

Camera Optic Adaptor	
Interface	4pin XLR(Male) /5pin XLR(Female)/ 3.5mm headset jack
Microphone	Mic inputs with mute and pre-amps

Headphone	with volume up or down
Optic Base Station	
Interface	3pin XLR Female/Male: Party line audio for Clearcom and RTS Intercom main station DB9(Male): Line level audio input and output,

Tally:

Camera Optic Adaptor	
Interface	4pin air head or 3pin mini XLR
Output	Dry Contact Closure or wet LED+/- On: short or LED on Off: open or LED off
Optic Base Station	
Interface	DB9(Male)
Input	Dry Contact Closure or TTL On: short to GND or TTL low Off: open or TTL high

Remote:

Camera Optic Adaptor	
Interface	8pin sony's or 10pin Panasonic's remote interface
Data	RS422 /RS232/RS485
Optic Base Station	
Interface	DB9(Female) / 8pin sony's 10pin Panasonic's remote interface
Data	RS422 /RS232/RS485

Panel diagram(Satellite+ Base):

