



### 1080P HDMI Fiber Optic Extender

#### Description:

**BY-HDMI-312** includes a transmitter and a receiver, which can extend HDMI, RS232 and IR signal to a remote location over single fiber cable. Through the cascade or star type optical fiber cabling, the realization of a signal source transmitting, receiving a large screen display. The cascaded mode between each node only through the 1 optical fiber connection, reduce the complexity of the proposal, to reduce the difficulty of construction, unlimited number of nodes cascade, the transmission distance can be up to 0-100 km, there is no transmission distance problem using splitter solution on the market. Compact size, low power consumption (<3W), can work stably at 75 °C high temperature environment. Very suitable for application and subway station, airport, station, gymnasium. BY-HDMI-312 supports DVI/HDMI video and audio transmission at real-time, max resolution support can reach 1920\*1080 @ 60Hz, max distance 2KM (MM fiber cable)/ 100KM(SM fiber cable).

#### Application:

**BY-HDMI-312** can be widely used in military command and control system, police command and control system, traffic management system, energy and electricity supply industry, government office, medical system, commercial presentation, multimedia and public utilities etc

#### Features:

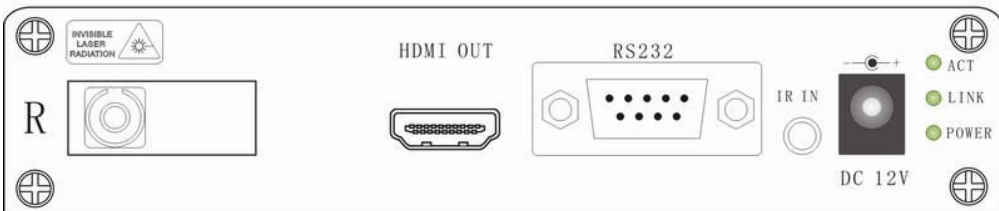
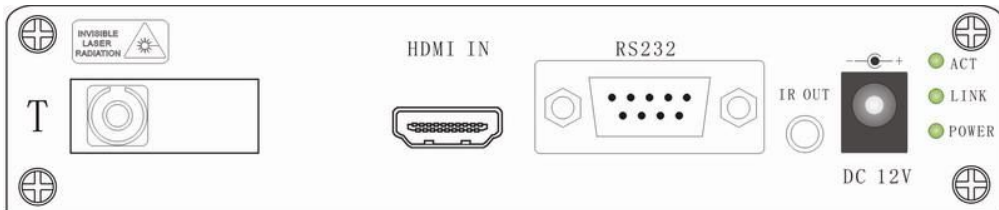
- 1, Support 1920×1080@60Hz
- 2, Max extension distance 2KM(MM fiber)/100KM(SM fiber)
- 3, Single/Duplex fiber transmission, pure hardware design, no driver needed, compatible with all operation systems, support plug and play
- 4, Support DVI/HDMI interface
- 5, RS232 and IR function

#### SPECIFICATION

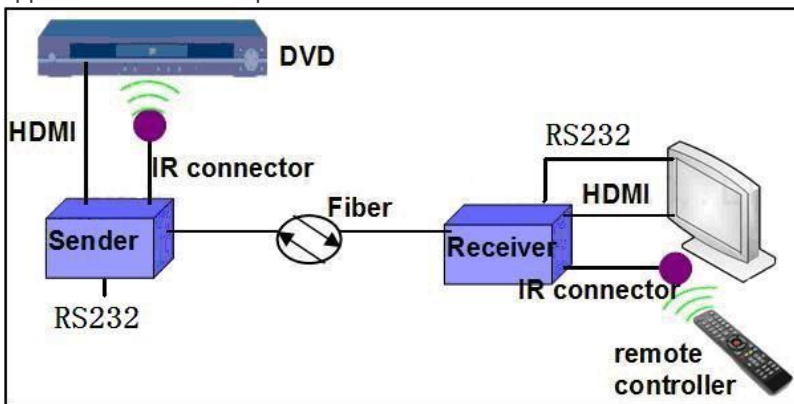
Video	I/O connector	HDMI / DVI
	HDMI version	HDMI1.1 1.2 1.3
	HDCP	HDCP1.2
	HDMI resolution	1080p/1080i/720p/720i/576p/576i/480p/480i
	Video color format	24bit/deep color 30bit/deep color 36bit
	Audio format	DTS/HD/Dolby-tureHD/LPCM7.1/DTS/Dolby-AC3/DSD
	TMDS	0.5-1.5Vp-p(TTL)
	DDC	5Vp-p(TTL)
	Input cable length	≤20m AWG26 HDMI 1.3 standard cable

	Output cable length	≤20m AWG26 HDMI 1.3 standard cable
Optical	Connector	SM/MM SC/FC/ST
	Wave length	850nm/1310nm/1550nm
Physical	Size (L× W ×H)	157mmx81mmx29mm
	Case	Aluminum
	Color	Black
	N.W.	0.7Kg
Power	Voltage	5~12V DC
	sender power consumption	3W
	receiver power consumption	3W
Environment	Working temperature	-20°C-75°C
	Storage temperature	-40-85°C
	Humidity	0-95% (non-condensing)

PANEL GRAPHS :



Application 1 : Point to point



Application 2&3 : Cascade & Star topology

