

Product Overview

SFP Transceiver



Description

Many active network components, especially in the backbone area such as switches or routers, are equipped with slots for taking up the optical SFP transceivers. The customer reaches the highest flexibility in terms of network configuration using SFP transceivers. Their construction allows to install them during operation (hot swap).

MICROSENS offers a large range of SFPs for applications such as SONET/SDH, Gigabit Ethernet and Fibre Channel. Beside multimode versions there are several single mode versions with different optical budgets available.

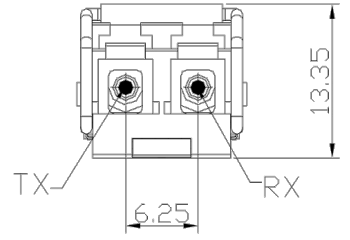
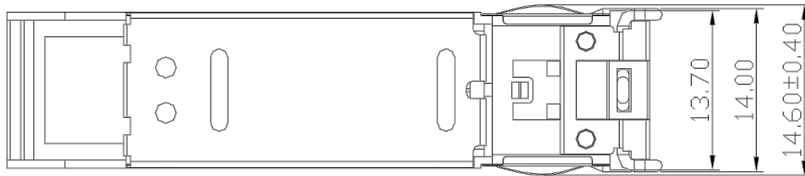
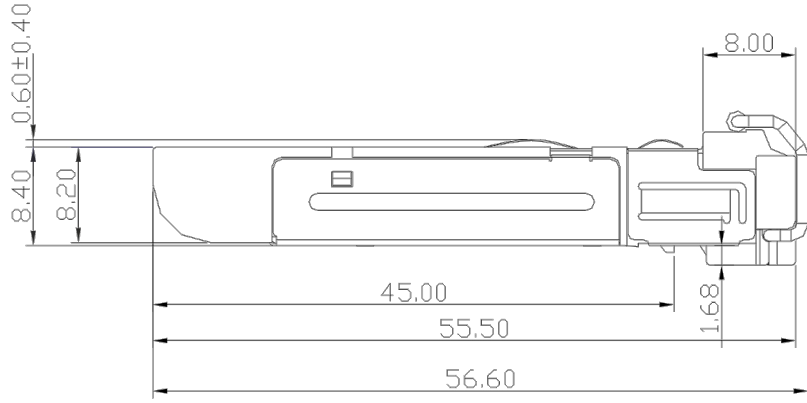
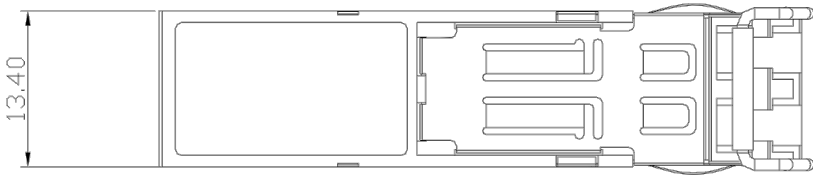
Beside the standard SFPs with 850/1310/1550 nm MICROSENS offers special CWDM transceiver (Coarse Wavelength Division Multiplexing) to extend capacities on existing fiber links. One simple WDM version offers the bidirectional transmission over one simplex single mode fiber.

In addition to the fiber SFPs there is a SFPs with copper port for Gigabit Ethernet applications available.

Properties

- Data rates from 100 Mbps up to 4 Gbps
- Compatible with the SFP specification version 5.4
- Versions for duplex and simplex transmissions (WDM)
- Option „D” for digital diagnostic functions with detailed status information via the network management
- Installable during operation (hot swap)
- Optional extended temperature range -40 .. +85° C

Dimensions



Order Information

Description	Article Number
Transceiver Copper SFP , RJ-45 connector , Gigabit Ethernet 1000Base-T, 3V autonegotiation	MS100090
SFP Fast Ethernet Transceiver MM 1310nm Multimode, LC connector	MS100190
SFP Fast Ethernet Transceiver 1310nm Single Mode, LC connector	MS100191
SFP Gigabit Ethernet Transceiver 1,25GB & 1.0625GB, 850nm Multimode LC	MS100200D
SFP Gigabit Ethernet Transceiver 1,25GB & 1.0625GB, 1310nm single mode LC 10km	MS100210D
SFP Gigabit Ethernet Transceiver 1,25GB & 1.0625GB, 1310nm Monomode LC 25km	MS100211D
SFP Gigabit Ethernet Transceiver 1,25Gb & 1.0625Gb, 1550nm single mode LC 50km	MS100213D
SFP Gigabit Ethernet Transceiver 1,25Gb & 1.0625Gb, 1550nm single mode 80km	MS100214D
SFP Gigabit Ethernet Transceiver 1,25Gb & 1.0625Gb, 1550nm single mode 120km	MS100215D
SFP Pluggable Transceiver, Double Rate Fibre Channel, 2125Mb 850nm Multimode	MS100240D
	MS100242D

This document in whole or in part may not be duplicated, reproduced, stored or retransmitted without prior written permission of MICROSENS GmbH & Co. KG. All information in this document is provided 'as is' and subject to change without notice. MICROSENS GmbH & Co. KG disclaims any liability for the correctness, completeness or quality of the information provided, fitness for a particular purpose or consecutive damage. MICROSENS is a trademark of MICROSENS GmbH & Co. KG. Any product names mentioned herein may be trademarks and/or registered trademarks of their respective companies.

© 2017.10.19 MICROSENS GmbH & Co. KG - 59067 Hamm/Germany - Tel. +49 2381 9452-0 - www.microsens.com