


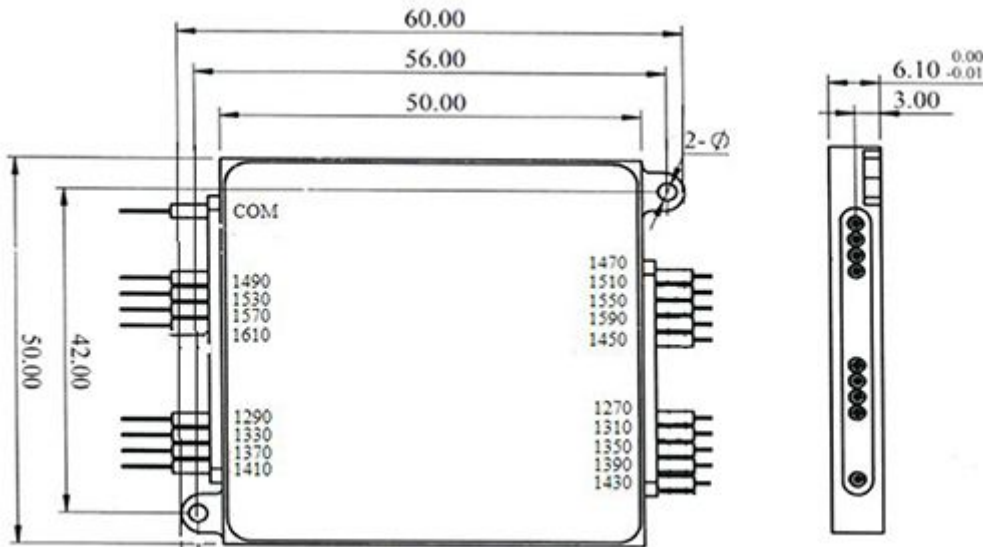
16ch Mini Size CWDM Module (MCWDM)

Features	
Low insertion loss & High channel isolation High stability and reliability	
Application	
CWDM system Metro/Access Networks CATV Fiberoptic System	

Specifications

Parameter	Type	16 Channels
CWDM Channel Insertion Loss (dB)		≤3.5
Central wavelength (nm)		1271-1611
Channel space (nm)		20
Channel bandwidth (nm)		$\lambda_c \pm 6.5$
Pass band Ripple (dB)		≤0.5
Isolation (dB)	adjacent channel	≥30
	non-adjacent channel	≥40
Directivity (dB)		≥50
Return loss (dB)		≥45
PDL (dB)		≤0.20
Power handling (mW)		≤300
Operating temperature (°C)		0 ~ +70
Storage temperature (°C)		-40 ~ +85
Dimensions (mm)		50x50x6.0

Package Dimension



Ordering Information:

MCWDM	Port Type	Wavelength	Operating Wavelength	Pigtail Type	Fiber Type	Length	Connector
-------	-----------	------------	----------------------	--------------	------------	--------	-----------

	16=16c h	1471 1491 1611	S=1260~1460 nm H=1460~1620 nm A=1260-1620 nm	900=900um loose tube 2000=2mm loose tube 3000=3mm loose tube	1=SMF-28 e	1= 1m	NE=None FA=FC/APC FC=FC/UPC SA=SC/APC SC=SC/UPC LC=LC/UPC LA=LC/APC XX=Other
--	-------------	-------------------------------	---	---	---------------	-------	---