

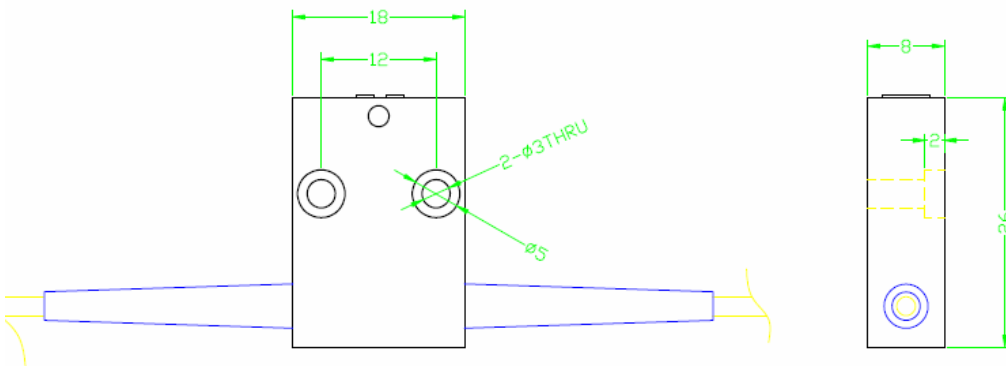
Single Mode Manual Variable Optical Attenuator (MVOA)

| | |
|--|--|
| Features | |
| High precision Wide attenuation range Low Insertion Loss Compact size | |
| Application | |
| Optical communication systems test Optics lab use | |

Specifications:

| Parameter \ Type | 1310 | 1550 | 1310/1550 | 1064 |
|----------------------------|-------------|-----------|-----------------------|-----------|
| Wavelength (nm) | 1310 ± 40 | 1550 ± 40 | 1310 ± 40 & 1550 ± 40 | 1064 ± 20 |
| Attenuation range (dB) | 0.6 ~ 60 | 0.6 ~ 60 | 0.8 ~ 60 | 0.6 ~ 60 |
| Insertion Loss (dB) | ≤0.6 | ≤0.6 | ≤0.8 | ≤0.6 |
| Return loss (dB) | ≥50 | | | ≥50 |
| Fiber Type | SMF-28e | | | HI1060 |
| Adjustment Precision (dB) | 0.02 | | | |
| PDL (dB) | ≤0.15 | | | |
| Operating temperature (°C) | 0 ~ +70 | | | |
| Storage temperature (°C) | -40 ~ +85 | | | |
| Dimension (mm) | 26 x 16 x 8 | | | |

Package Dimensions



Ordering Information

| MVOA | Wavelength | Adjustment Type | Pigtail Type | Fiber Type | Length | Connector |
|------|-----------------------------------|--------------------|--|-----------------------|--------|--|
| | 1064 1310 1550 1310/1550 | 1= Hand adjustment | 900=900um tube 2000=2mm tube 3000=3mm tube | 1=SMF-28e 4=HI1060 | 1= 1m | NE=None FA=FC/APC FC=FC/UPC SA=SC/APC SC=SC/UPC LC=LC/UPC LA=LC/APC MU=MU/UPC XX=Other |