

SZ-1A14 Series
∅ 2.5 mm Single mode
Zirconia FERRULE

TECHNICAL SPECIFICATIONS



SEIKOH GIKEN Co.,Ltd.
296-1, MATSUHIDAI, MATSUDO-SHI,
CHIBA, 270-2214 JAPAN.
TEL: +81-47-388-6111 FAX: +81-47-388-4477

SZ-1A14 Series \varnothing 2.5 mm Single mode Zirconia FERRULE
TECHNICAL SPECIFICATIONS

NCD-66A2-01	June	1996
S05-H501-01E	April	2007
S05-H501-02E	October	2015

Copyright © 1996 - 2015 by **SEIKOH GIKEN Co.,Ltd.**
All right reserved.

The information contained herein shall not be reproduced or disclosed to any third party without the express written consent of SEIKOH GIKEN Co., Ltd. The specifications and materials contained herein are subject to change without notice.

Please address any questions, comments, and suggestions to:

SEIKOH GIKEN USA, Inc.

4405 International Blvd., Suite B109
Norcross, GA 30093 U.S.A.
TEL: +1-770-279-6602
FAX: +1-770-279-8839

SEIKOH GIKEN Europe GmbH

Siemensstrasse 9
D-63263 Neu-Isenburg, Germany
TEL: +49-6102-297-701
FAX: +49-6102-297-750

SEIKOH GIKEN Hangzhou Co.,Ltd.

526 Binkang Road Binjiang District, Hangzhou,
Zhejiang, China 310052, P.R. China
TEL: +86-571-8777-4098
FAX: +86-571-8777-4099

TABLE OF CONTENTS

Section	Page
1 SCOPE	1
2 PART NUMBER.....	1
3 GENERAL SPECIFICATIONS	1
3.1 Physical Dimensions.....	1
3.3 Appearance	1
4 SHIPPING INSPECTION	2
5 PACKING	2
6 IDENTIFICATION.....	2
7 HANDLING AND CARE.....	2
7.1 Conditions of Storage.....	2
7.2 Precautions for Use	2
7.3 Disposal	2
8 DRAWING ATTACHED	2

Table

Table 1 Part Number.....	1
--------------------------	---

BLANK PAGE

1 SCOPE

These specifications apply to the SZ-1A14 series \varnothing 2.5 mm single mode zirconia ferrule supplied by SEIKOH GIKEN Co., Ltd.

2 PART NUMBER

Part number of the housing is shown in Table 1.

Table 1 Part Number

MODEL Number	TYPE Number																						
SZ-1A	1	4	1	2	5	8	0	G															
	<table border="1"> <thead> <tr> <th colspan="2">Flange Shape</th> </tr> </thead> <tbody> <tr> <td>1 4</td> <td>Standard</td> </tr> </tbody> </table>		Flange Shape		1 4	Standard	<table border="1"> <thead> <tr> <th colspan="2">Ferrule I.D. [mm]</th> </tr> </thead> <tbody> <tr> <td>1 2 5</td> <td>\varnothing 0.125</td> </tr> <tr> <td>1 2 F</td> <td>\varnothing 0.1255</td> </tr> <tr> <td>1 2 6</td> <td>\varnothing 0.126</td> </tr> </tbody> </table>			Ferrule I.D. [mm]		1 2 5	\varnothing 0.125	1 2 F	\varnothing 0.1255	1 2 6	\varnothing 0.126	<table border="1"> <thead> <tr> <th colspan="2">Auxiliary digit</th> </tr> </thead> <tbody> <tr> <td>8 0</td> <td>G</td> </tr> </tbody> </table>		Auxiliary digit		8 0	G
Flange Shape																							
1 4	Standard																						
Ferrule I.D. [mm]																							
1 2 5	\varnothing 0.125																						
1 2 F	\varnothing 0.1255																						
1 2 6	\varnothing 0.126																						
Auxiliary digit																							
8 0	G																						

Please contact us for availability of other specifications.

3 GENERAL SPECIFICATIONS

3.1 Physical Dimensions

Physical Dimensions should comply with the drawing attached.

3.3 Appearance

There should be no remarkable burr or scratches.

4 SHIPPING INSPECTION

The ferrule outer diameter, ferrule hole diameter, concentricity of ferrule hole diameter, mating length and appearance are inspected before shipping and the inspection results are enclosed.

5 PACKING

The product is packed to prevent damage during shipment.

6 IDENTIFICATION

Identification label should indicate the part number and the lot number of the product(s) and should be permanently attached to the packing bag.

7 HANDLING AND CARE

7.1 Conditions of Storage

For storage of the product, keep in the packing bag and keep away from corrosive gas, high-temperature and humidity, extreme-low temperature and direct sunlight.

7.2 Precautions for Use

Contamination, oil, sweat and others debris on the ferrule end face may influence the performance of the product. If contamination is on the ferrule end face, wipe the end face with the end face cleaner.

7.3 Disposal

When discarding this product, please follow the regulations of your own country.

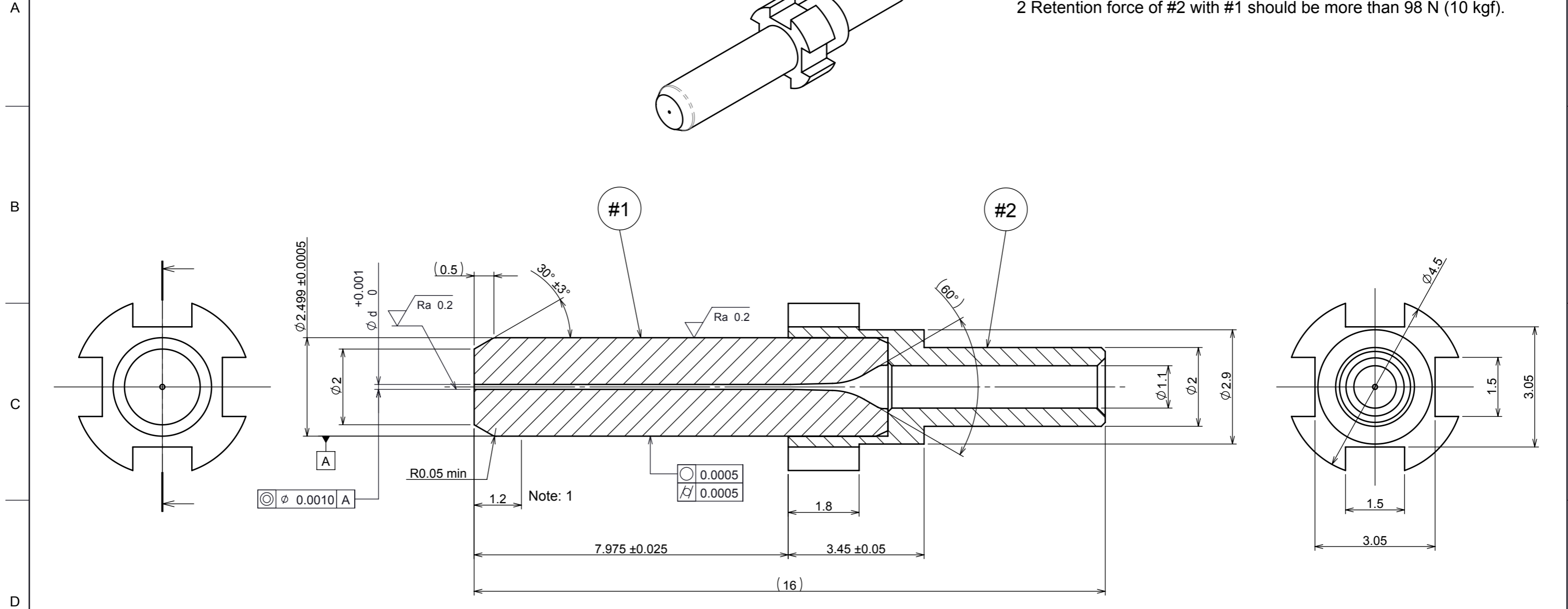
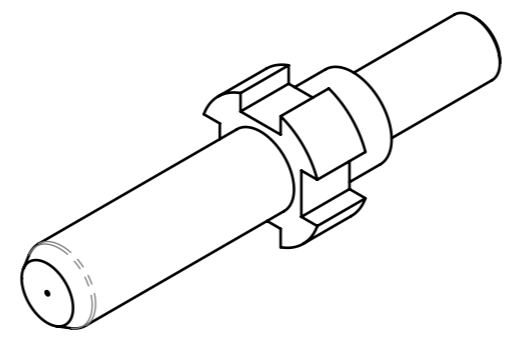
8 DRAWING ATTACHED

· S05-H501-D02E: SZ-1A14 Ferrule

General Tolerance	
Basic size step	Permissible deviation
Under 6	±0.1
Over 6 / Under 30	±0.2

$\sqrt{Ra\ 3.2}$ ($\sqrt{Ra\ 0.2}$)

Notes: 1 Outside diameter of the capillary may be less than $\phi 2.498$ in the range of 1.2 mm from top of the end face.
2 Retention force of #2 with #1 should be more than 98 N (10 kgf).



Part Number	ϕd	Go Gauge	No Go Gauge
SZ-1A1412580G	$\phi 0.125$	$\phi 0.1251 \pm 0.0001$	$\phi 0.1261 \pm 0.0001$
SZ-1A1412F80G	$\phi 0.1255$	$\phi 0.1256 \pm 0.0001$	$\phi 0.1266 \pm 0.0001$
SZ-1A1412680G	$\phi 0.126$	$\phi 0.1261 \pm 0.0001$	$\phi 0.1271 \pm 0.0001$

No.	NAME	MATERIAL	QTY	NOTE
#2	Flange	Stainless steel	1	-
#1	Capillary	Zirconia	1	-

MATERIAL (材料)		PART NO. (型番)		SZ-1A14 Series	
TREATMENT (処理)		TITLE (名称)		SZ-1A1412*80G	
SCALE (尺度)	UNIT (単位)	DATE (日付)	FERRULE		
FREE	1=1mm	30 Oct. 2015			
APPROVED BY (承認)	CHECKED BY (検図)	DESIGNED BY (設計)	DRAWN BY (製図)	ITEM NO. (品目コード)	SHEET NO. (枚数)
Y. Kurakami	T. Ueno	J. Taira	J. Taira		
SEIKOH GIKEN Co.,Ltd.				DRAWING NO. (図番)	PAGE (ページ)
				S05-H501-D02E	