

CATV PIN ROSA

Features

- High linearity, typical CSO at -75dBc and CTB at -85 dBc
- Low capacitance, 0.6Pf
- Frequency response >2GHz
- High responsivity at 1310nm and 1550nm
- Compliant with 0,9 mm fiber G652 standard
- 100cm pigtailed FC/APC connector

Applications

- CATV

ABSOLUTE MAXIMUM RATINGS

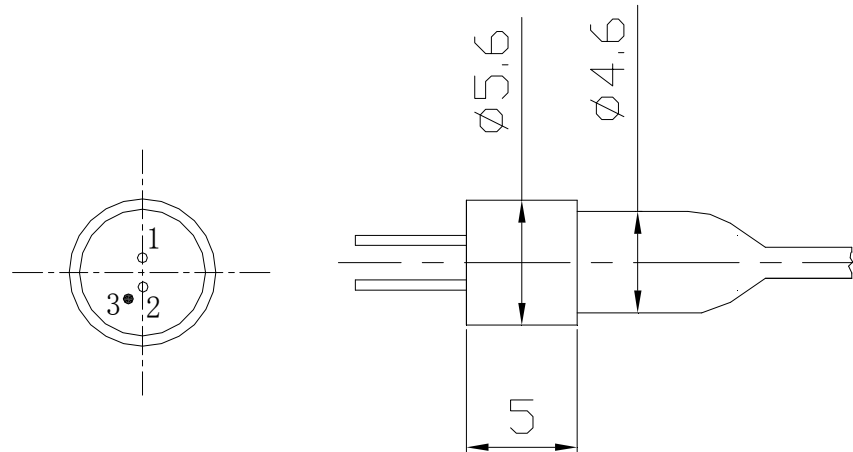
PARAMETER	SYMBOL	MIN	MAX	UNITS
Operating Ambient Temperature Range	Ta	-40	85	°C
Storage Case Temperature	Tstg	-40	85	°C
Lead Solder Temperature (<10 seconds)	Stemp		260	°C
Forward current			10	mA
Reverse voltage			20	V

Opto - Electrical Characteristic

Tc=-40~+85°C, Vcc=3.1~3.5V, unless otherwise specified

PARAMETER	SYMBOL	TEST CONDITIONS	MIN	TYP	MAX	UNITS
Optical Wavelength	λ_{op}	-	1100		1600	nm
Responsivity	R	VR=5V, λ =1310nm	0.8	0.9		A/W
		VR=5V, λ =1550nm	0.9	0.95		
Dark Current	ID	VR=5V, TA=25°C		0.1	1	nA
Breakdown Voltage	VBD	IR=10 μ A	25	50		V
Second order inter-modulation distortion	IMD2			-75	-70	dBc
Third order inter-modulation distortion	IMD3			-85	-80	dBc
Capacitance	C	VR=5V, f=1 MHz		0.56	0.7	pF
Bandwidth	BW	VR=5V	2			GHz

Package information



- 1: PD+
- 2: PD-
- 3: CASE

For More Information

Shenzhen Transwan Optoelectronic Technology co., Ltd

Add: 5F B Building, Zhi Xuan Han YuanLing Industrial Park, Shi Yan, Bao'an, Shenzhen, P.R.C

Tel: +86-755-29003393, 29003397 Fax: +86-755-29003396, 22630311

E-mail: sales@transwan.com.cn website: www.transwan.com.cn