

940nm Fiber Bundled Diode Laser Modules

Wavespectrum Laser, Inc

PARAMETER	SYMBOL	VALUE	UNIT
Reverse Voltage	$V_r$	2.0	V
Operating Temperature	$T_{op}$	+10 ~ +30	°C
Storage Temperature	$T_{stg}$	-20 ~ +80	°C
Lead soldering temperature (10 sec.)	$T_{is}$	260	°C



**Applications:**

- Medical laser treatment
- Night Vision
- Pumping Laser

**Features:**

- 940nm
- High coupling efficiency
- High Quality
- Aiming Beam Optional
- **Built-in** TEC Cooling

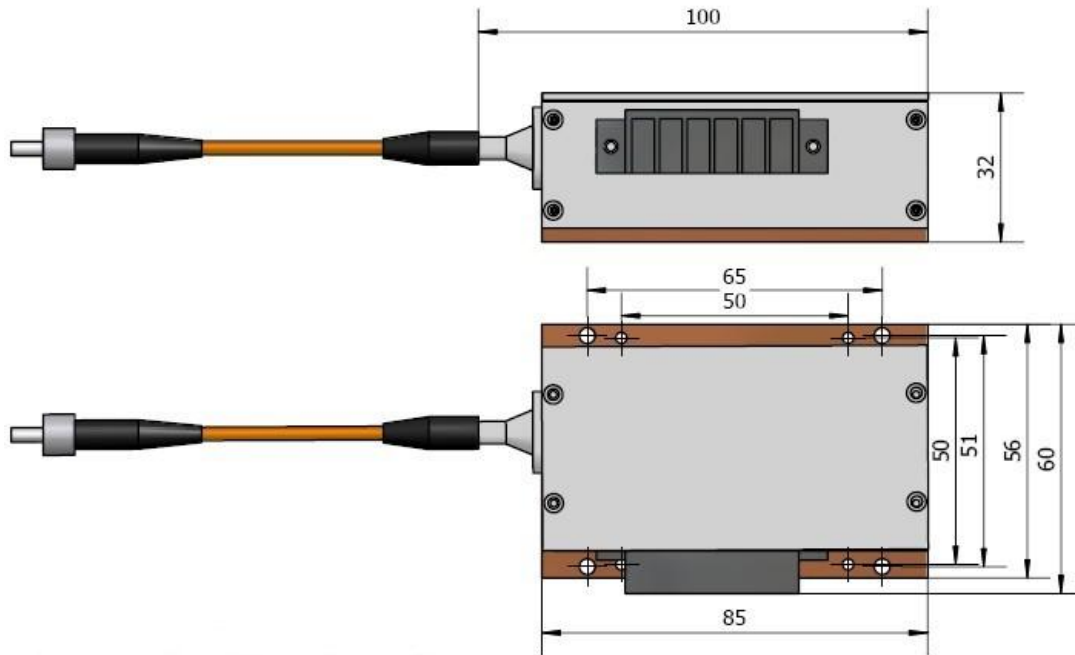
**Specifications**

**WSLB-940-010-H**

	Min.	Type	Max.
Center Wavelength@25°C	----	940±10nm	----
Spectral Width (FWHM)	----	3nm	----
Output Power	----	10W	----
Temperature Coefficient of Wavelength	----	0.3nm / °C	----
Threshold Current (Typ.)	----	350mA	----
Operating Current (Typ.)	----	3A	----
Operating Voltage	----	8V	----
Cooling	TEC Cooling		
Fiber Core Diameter	400um		
Fiber Numerical Aperture	0.22		
Fiber Length	100cm		
Connector Type	SMA905/ST/FC		
Aiming Beam (2mw@650nm)	Optional		



### Package View



PIN	1	2	3	4	5	6
	LD(+)	LD(-)	RT	RT	TEC(-)	TEC(+)

Electrically shorten LD module and store in non-extreme conditions.

Suggest using the constant current power supply.

**Caution**  
 On operation, if optical connectors are unterminated, modules can emit invisible laser radiation. Radiation emitted by laser devices can be dangerous to the eyes. Avoided eye or skin exposure to direct or scattered radiation

