


405nm 100mw Single Mode Laser Diode | SM LD | 3.8mm Package

405nm LD | 100mw Power | 3.8mm small Package | Single Mode Beam

WSLD-405-100m-1

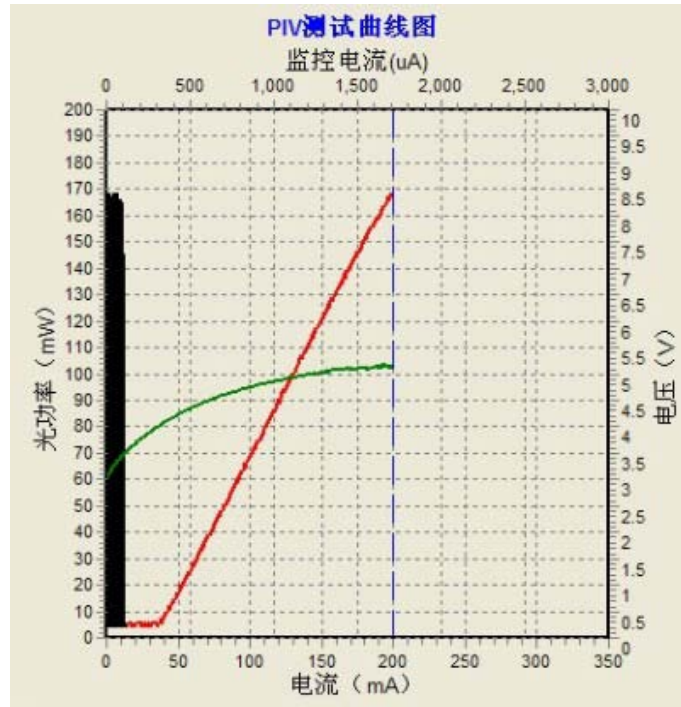
Wavespectrum Laser Group

www.wavespectrum-laser.com

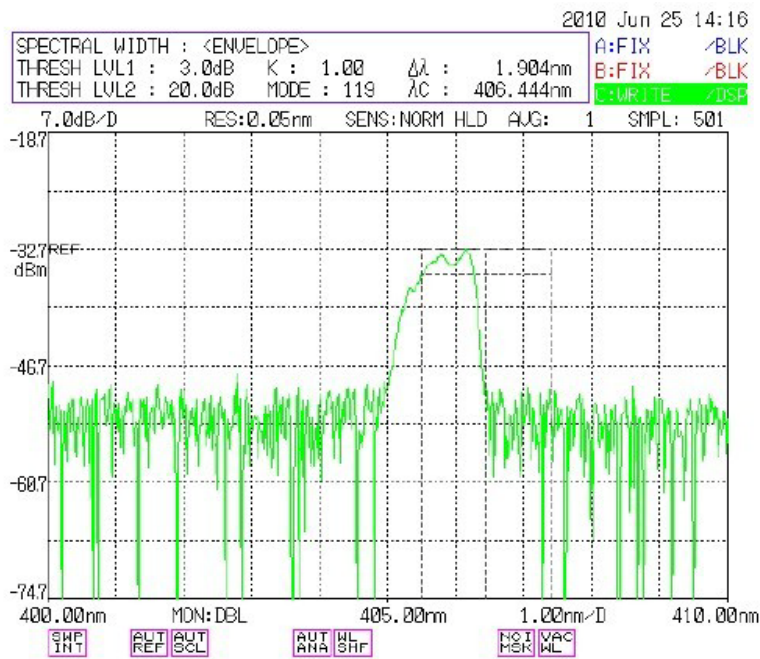
405nm Laser Diode		Wavespectrum Laser Group		
PARAMETER	SYMBOL	VALUE	UNIT	
Reverse Voltage	V_r	5.0	V	
Operating Temperature	T_{op}	-10~+70	°C	
Storage Temperature	T_{stg}	-40~+85	°C	
Lead soldering temperature (10 sec.)	T_{is}	260	°C	
Features: <ul style="list-style-type: none"> 405nm Single Mode Beam 3.8mm Package 				
Applications: <ul style="list-style-type: none"> Medical Laser Treatment Printing Others 				
Specifications		WSLD-405-100m-1		
		Min	Type	Max
Center Wavelength@25°C		400nm	405nm	410nm
Spectral Width (FWHM)		2.0nm		
Output Power		----	100mW	----
Laser Type		Single Mode		
Beam Divergence (FWHM)		15°± x 7° //	19.5°± x 9° //	23°± x 12° //
Slope Efficiency		1.2mW/mA	1.4mW/mA	1.9mW/mA
Threshold Current (Typ.)		----	35mA	50mA
Operating Current (Typ.)		----	120mA	150mA
Operating Voltage		----	4.8V	5.5V
Package Style		3.8mm		



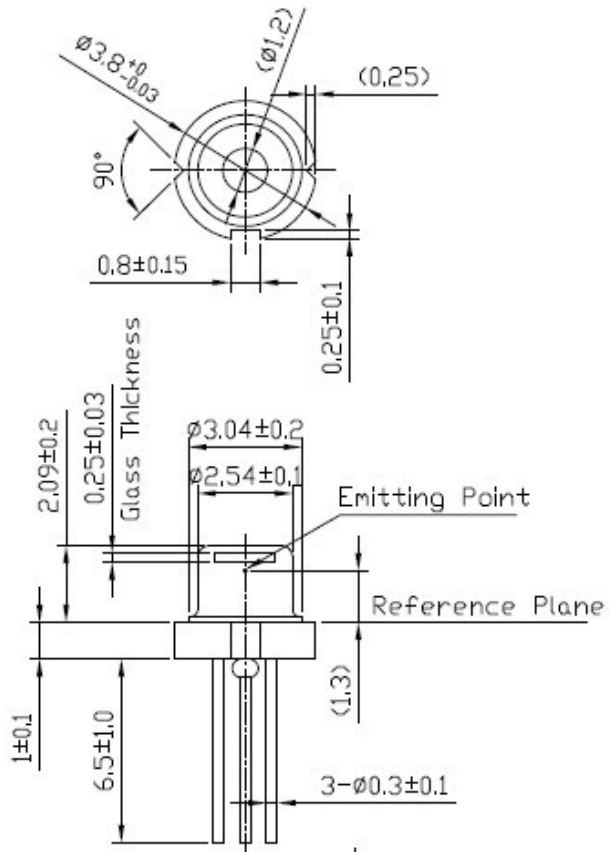
PVI Curve:



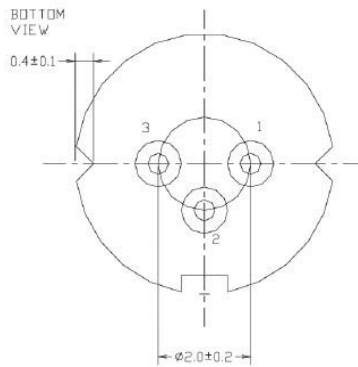
Spectrum:



Drawing



PIN Bottom View:



1	LD(+)
2	GND
3	LD(-)

Electrically shorten LD module and store in non-extreme conditions.

Suggest using the constant current power supply.

