

**405nm 400mw~500mw Multi-mode Laser Diode|0.5W Power  
405nm LD| 500mw Power|5.6 mm Package | Violet Laser Diode  
WSLD-405-500m-1**

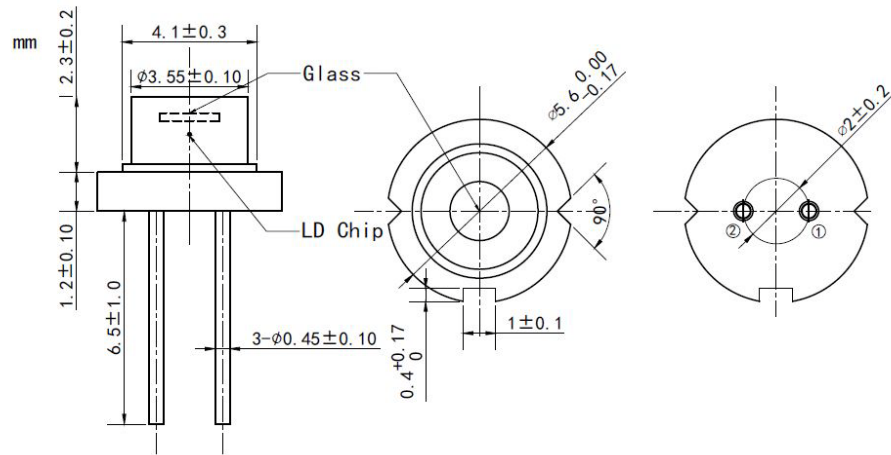
Wavespectrum Laser Group

[www.wavespectrum-laser.com](http://www.wavespectrum-laser.com)

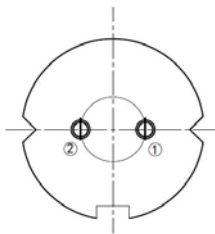
405nm Laser Diode		500mw		Wavespectrum Laser Group	
PARAMETER	SYMBOL	VALUE	UNIT		
Reverse Voltage	$V_r$	2.0	V		
Operating Temperature	$T_{op}$	0~+40	°C		
Storage Temperature	$T_{stg}$	-40~+85	°C		
Lead soldering temperature (10 sec.)	$T_{is}$	260	°C		
<b>Features:</b> <ul style="list-style-type: none"> <li>405nm</li> <li>High Output Power</li> <li>5.6mm Package</li> </ul>					
<b>Applications:</b> <ul style="list-style-type: none"> <li>Medical Laser Treatment</li> <li>Printing</li> <li>Others</li> </ul>					
<b>Specifications</b>		<b>WSLD-405-500m-1</b>			
		Min	Type	Max	
Center Wavelength@25°C		±3nm	405nm	±10nm	
Spectral Width (FWHM)		2.0nm			
Output Power (CW)		----	400mW	500mW	
Beam Divergence (FWHM)		----	40°± x 15°//	45°± x 21°//	
Threshold Current (Typ.)		----	150mA	200mA	
Operating Current (Typ.)		----	400mA	480mA	
Operating Voltage		----	4.9V	5.5V	
Slope Efficiency		----	1.7mW/mA	----	
Recommended Operating Temperature		25 °C			
Package Style		5.6mm			



### TO18 (5.6mm) Package View

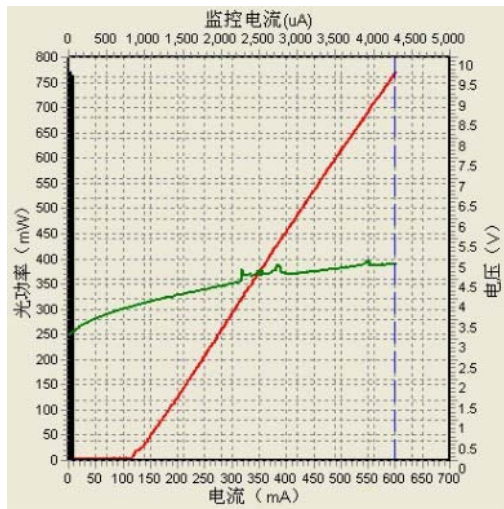


### PIN Bottom View



1	LD(+)
2	LD(-)

### PVI Curve



Wavespectrum Laser Group  
[www.wavespectrum-laser.com](http://www.wavespectrum-laser.com)  
[sales@wavespectrum-laser.com](mailto:sales@wavespectrum-laser.com)

