
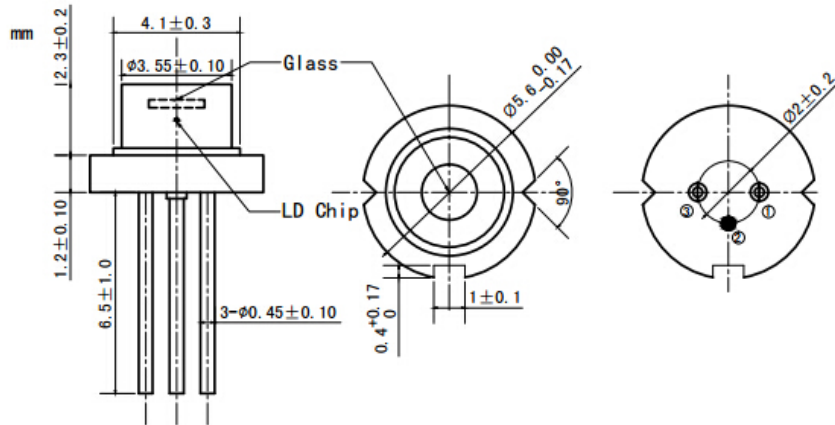


635nm 50mw Single Mode SM Laser Diode | With Photodiode
635nm~638nm SM LD|30mw power|5.6mm package | Red Laser Diode With PD
WSLD-635-050m-1-PD
Wavespectrum Laser Group
www.wavespectrum-laser.com
en.wavespectrum-laser.com.cn

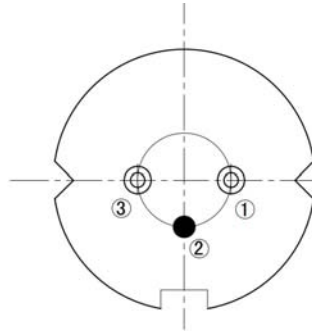
635nm Laser Diode SM 50mw			
PARAMETER	SYMBOL	VALUE	UNIT
Reverse Voltage	V_r	2.0	V
Operating Temperature	T_{op}	-10~+50	°C
Storage Temperature	T_{stg}	-40~+85	°C
Lead soldering temperature (10 sec.)	T_{is}	260	°C
Features: <ul style="list-style-type: none"> ● 635nm ● CW ● Built-in PD ● Single Transverse Mode ● TO18 package 			
Applications: <ul style="list-style-type: none"> ● Medical laser treatment ● Laser indicator ● Laser detector 			
Specifications		WSLD-635-050m-1-PD	
		Min	Type
Center Wavelength@25°C		630nm	638nm
Spectral Width (FWHM)		----	2.0nm
Output Power		----	50mw
Emitter		----	Single
Beam Divergence (FWHM)		$15^\circ \perp \times 5.0^\circ //$	$22^\circ \perp \times 10^\circ //$
Monitor Current		----	0.3mA
PD Reverse Voltage		----	30V
Threshold Current (Typ.)		----	45mA
Operating Current (Typ.)		----	100mA
Operating Voltage		----	2.5V
Package Style		TO18	



Package View



Pin Out



1	LD(-)
2	LD(+) & PD(-)
3	PD(+)

Electrically shorten LD module and store in non-extreme conditions.

Suggest using the constant current power supply.



Erratum

Please find below the corrected dimensional drawing.

