

650nm~660nm 180mW~200mW Single Mode Laser Diode| SM LD

660nm 5.6mm Package|180mW| SM LD |Red Laser Diode

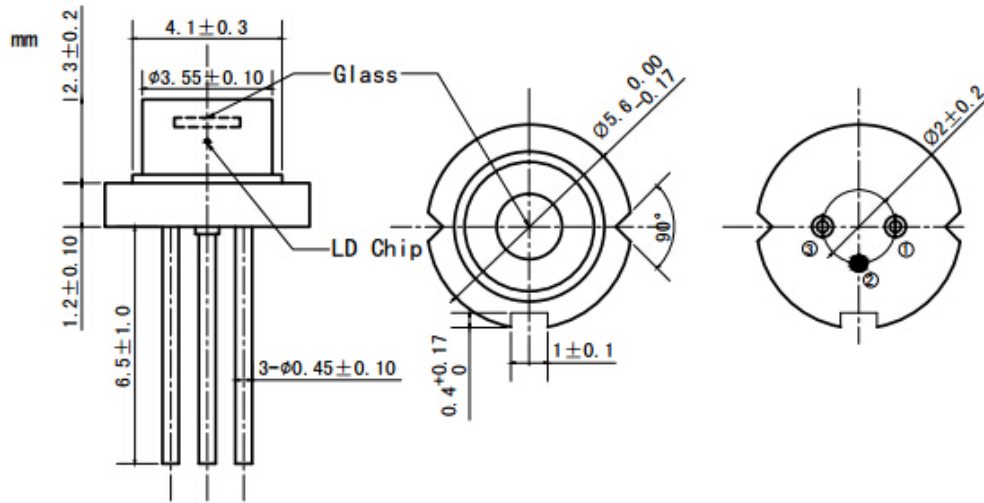
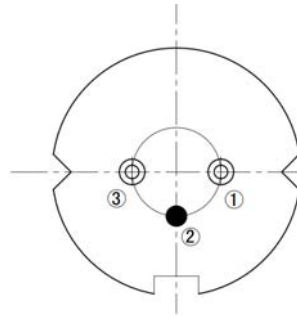
WSLD-650-180m-1

Wavespectrum Laser Group

www.wavespectrum-laser.com

660nm Laser Diode		180mW/TO18		Wavespectrum Laser Group	
PARAMETER	SYMBOL	VALUE		UNIT	
Reverse Voltage	V_r	2.0		V	
Operating Temperature	T_{op}	-10~+50		°C	
Storage Temperature	T_{stg}	-40~+85		°C	
Lead soldering temperature (10 sec.)	T_{is}	260		°C	
Features: <ul style="list-style-type: none"> • 660nm • Single Mode Beam • TO18 Package 					
Applications: <ul style="list-style-type: none"> • Medical Laser Treatment • Laser Indicator • Others 					
Specifications		WSLD-650-180m-1			
		Min	Type	Max	
Center Wavelength@25°C		650nm	658nm	665nm	
Spectral Width (FWHM)		2.0nm			
Output Power (CW)		----	180mW	----	
Emitter		Single			
Beam Divergence (FWHM)		----	$14^\circ \perp \times 10^\circ //$	$16^\circ \perp \times 13^\circ //$	
Recommended Operating Temperature		25°C			
Slope Efficiency		----	1.0mW/mA	----	
Threshold Current (Typ.)		----	50mA	80mA	
Operating Current (Typ.)		----	240mA	260mA	
Operating Voltage		----	2.8V	3.5V	
Package Style		TO18 (5.6mm)			



TO18(5.6mm) Package View

PIN Bottom View:


1	LD(+)
2	LD(-)
3	NC

Electrically shorten LD module and store in non-extreme conditions.

Suggest using the constant current power supply.

