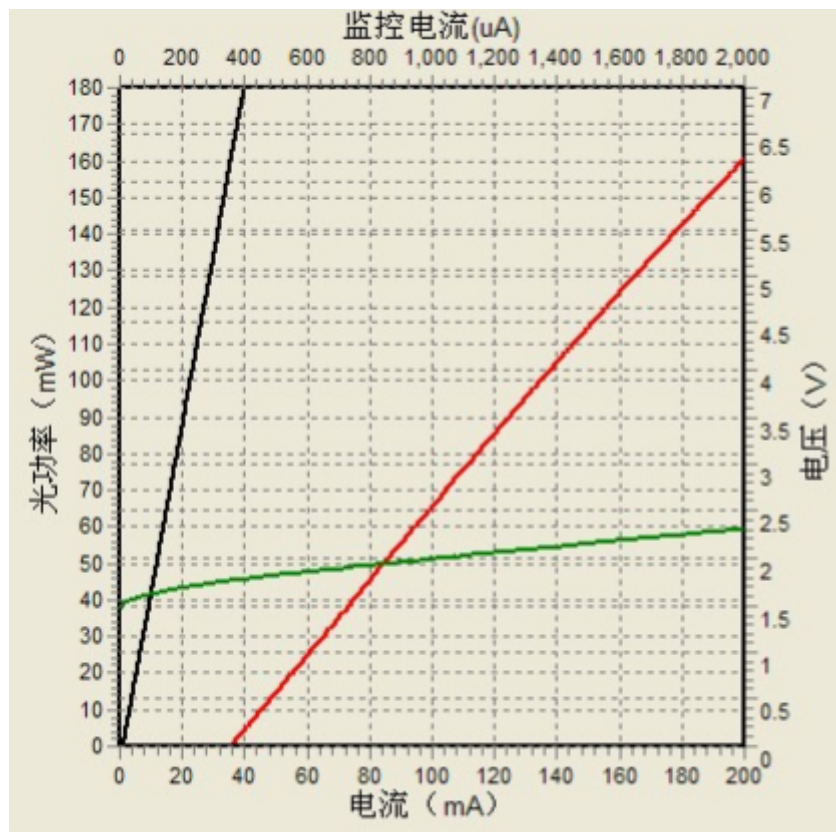


780nm-785nm 150mw Single Mode LD| SM Laser Diode|5.6mm TO18 Package | With PD
780-785nm SM Laser Diodes |Single Mode LD|150mw Power | Photodiodes
WSLD-785-150m-1-PD
Wavespectrum Laser Group
www.wavespectrum-laser.com

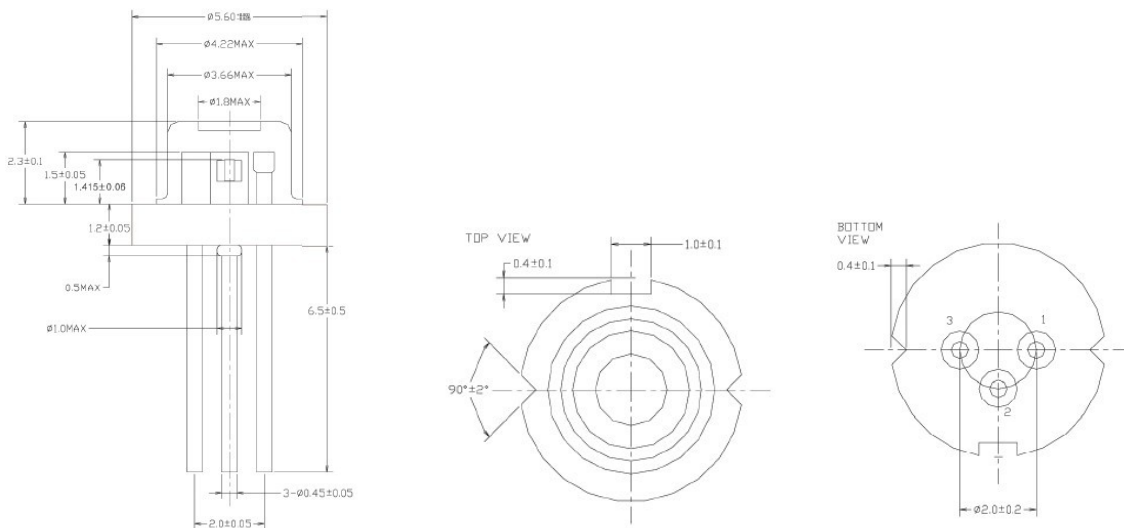
785nm Laser Diode		Wavespectrum Laser Group		
PARAMETER	SYMBOL	VALUE	UNIT	
Reverse Voltage	V_r	2.0	V	
Operating Temperature	T_{op}	-10~+50	°C	
Storage Temperature	T_{stg}	-40~+85	°C	
Lead soldering temperature (10 sec.)	T_{is}	280	°C	
Features: <ul style="list-style-type: none"> ● 785nm ● Single Mode Beam ● Built-in PD ● TO18 Package 				
Applications: <ul style="list-style-type: none"> ● Medical Laser Treatment ● Laser Indicator ● Others 				
Specifications		WSLD-785-150m-1-PD		
		Min	Type	Max
Center Wavelength@25°C		775nm	785nm	795nm
Spectral Width (FWHM)		----	2.0nm	----
Output Power (CW Mode)		----	120mw	150mw
Laser Beam Mode		Single Mode		
Beam Divergence (FWHM)		$15^\circ \perp \times 7^\circ //$	$17^\circ \perp \times 9^\circ //$	$19^\circ \perp \times 10^\circ //$
Monitor Current		----	0.6mA	0.9mA
PD Reverse Voltage		----	30V	----
Test Temperature		25°C		
Slope Efficiency		----	1.1mW/mA	1.3mW/mA
Threshold Current (Typ.)		----	30mA	50mA
Operating Current (Typ.)		----	160mA	200mA
Operating Voltage		----	2.3V	2.5V



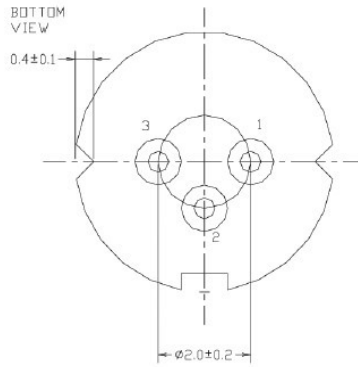
PVI Curve



TO18(5.6mm) Package View



PIN Bottom View:



1	LD(-)
2	LD(+)&PD(-)
3	PD(+)

Electrically shorten LD module and store in non-extreme conditions.
 Suggest using the constant current power supply.



Wavespectrum Laser, Inc.
www.wavespectrum-laser.com
wavespectrumlaser@gmail.com

