


808nm 3W laser diodes with C mount Package
808nm High Power LD

WSLD-808-003-C

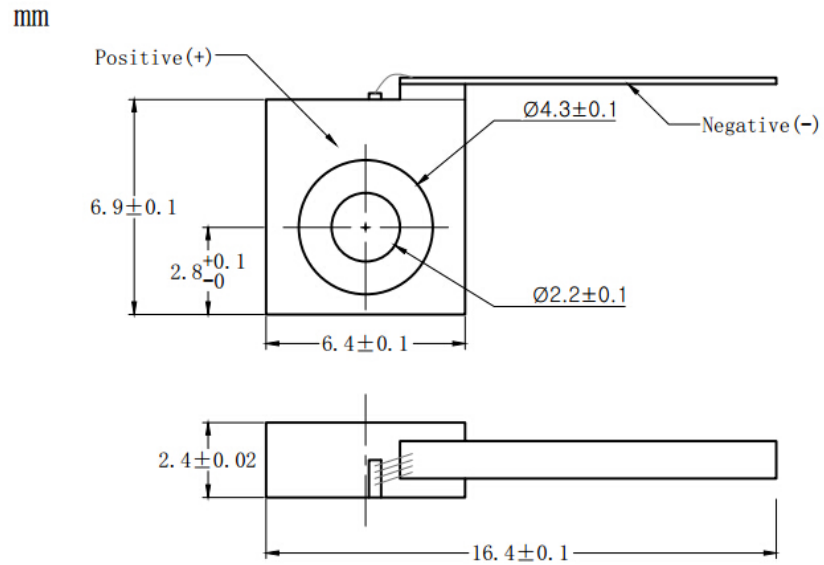
Wavespectrum Laser Group

www.wavespectrum-laser.com

808nm Laser Diode 3W		Wavespectrum Laser	
Reverse Voltage	V_r	2.0	V
Operating Temperature	T_{op}	-10~+30	°C
Storage Temperature	T_{stg}	-40~+85	°C
Lead soldering temperature (10 sec.)	T_{is}	260	°C
Features: <ul style="list-style-type: none"> ● 808nm ● High power ● C-mount Package 			
Applications: <ul style="list-style-type: none"> ● Medical Laser Treatment ● Laser Indicator ● Laser Detector 			
Specifications		WSLD-808-003-C	
		Min	Max
Center Wavelength@25°C		+/-3nm	+/-10nm
Spectral Width (FWHM)		3.0nm	5.0nm
Output Power		3W	
Emitter Area		100x1µm	
Beam Divergence (FWHM)		36° _⊥ x 10° _{//}	40° _⊥ x 12° _{//}
Temperature Coefficient of Wavelength		0.28nm / °C	
Slope Efficiency		1.0W/A	
Threshold Current (Typ.)		0.5A	0.7A
Operating Current (Typ.)		3.2A	3.5A
Operating Voltage		2.0V	2.2V
Package Style		C-mount	



C-mount Package View



Electrically shorten LD module and store in non-extreme conditions.

Suggest using the constant current power supply.

