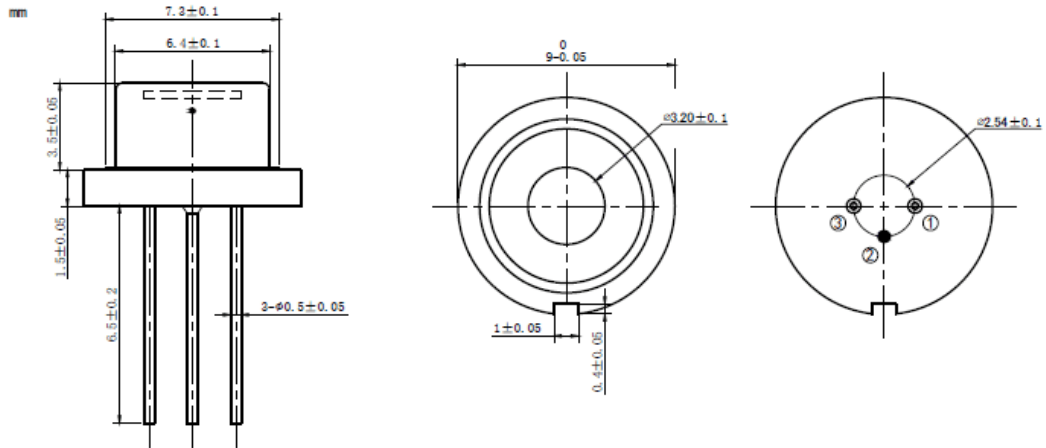


808nm~810nm 0.5W laser diodes With PD | TO5 9mm package| Square Beam Optional
808nm 500mW High Power LD with FAC Optional | Linear Beam Optional |With Photodiode
 WSLD-808-500m-2-PD Wavespectrum laser Group. www.wavespectrum-laser.com

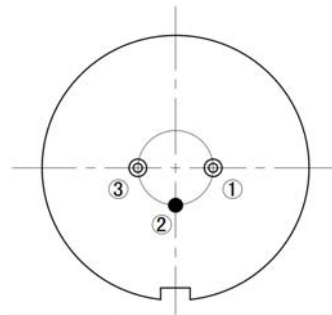
808nm Laser Diode		0.5W/TO5		Wavespectrum Laser Group	
Reverse Voltage	V_r	2.0		V	
Operating Temperature	T_{op}	0~+40		°C	
Storage Temperature	T_{stg}	-40~+85		°C	
Lead soldering temperature (10 sec.)	T_{is}	260		°C	
Features: <ul style="list-style-type: none"> ● 808nm ● 0.5W output Power ● TO5 Package ● Built-in PD 					
Applications: <ul style="list-style-type: none"> ● Medical laser treatment ● Laser indicator ● Others 					
Specifications		WSLD-808-500m-2-PD			
		Min	Type	Max	
Center Wavelength@25°C		$\pm 3\text{nm}$	808nm	$\pm 10\text{nm}$	
Spectral Width (FWHM)		----	2.5nm	----	
Output Power		----	0.5W	----	
Recommended Operating Temperature		25°C			
Beam Divergence (FWHM)		----	$38^\circ \pm \times 10^\circ //$	$40^\circ \pm \times 12^\circ //$	
Temperature Coefficient of Wavelength		----	0.3nm / °C	----	
Slope Efficiency		----	1.0W/A	----	
Threshold Current (Typ.)		----	0.08A	----	
Operating Current (Typ.)		----	0.6A	----	
Operating Voltage		----	2.2V	----	
Package Style		TO5			



TO5 Package View



PIN Bottom View:



1	LD(-)
2	LD(+) & PD(-)
3	PD(+)

Electrically shorten LD module and store in non-extreme conditions.
 Suggest using the constant current power supply.

