

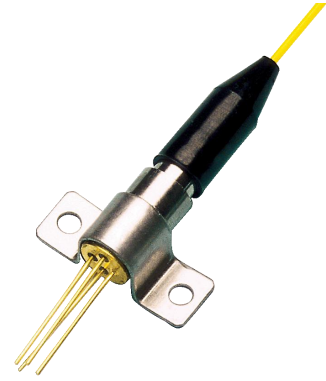
InGaAs PIN Pigtail Module

Features 特性

- Small dark current
- High reliability

Applications 应用

- RF Signal Receive



Absolute maximum ratings 极限工作条件

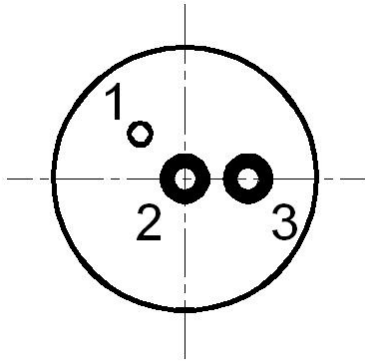
Parameter	Symbol	Condition	Ratings	Unit
Storage temperature	T_{stg}	-	-40~+100	°C
Operating temperature	T_{op}	-	-40~+85	°C
Reverse voltage	V_R	CW	30	V
Soldering time	-	-	10	s
Soldering Temp	-	-	260	°C

Optical & electrical characteristics 光电特性

Parameter	Symbol	Min.	Typ.	Max.	Unit	Test condition
Detection range	λ	1100	-	1650	nm	-
Dark current	I_d	-	1	5	nA	$V_R=5V, 25^\circ C$
Quantum efficiency	R	-	0.85	-	A/W	$V_R=5V, \lambda=1310\text{ nm}$
Saturation power	P	10	-	-	dBm	$V_R=5V, 25^\circ C$
Rise and Fall time	T_r/T_f	-	0.1	-	ns	$R_L=50\Omega$
Reverse Voltage	V_R	-	-	15	V	-
Capacitance	C_t	-	-	0.75	pF	$V_R=5V$
Return Loss	RL	-	-	-45	dB	-
CSO 二阶失真		62	-	-	dB	45~860MHz,HP8591C
CTB 三阶失真		68	-	-	dB	45~860MHz,HP8591C
C/N 载噪比		52	-	-	dB	45~860MHz,HP8591C

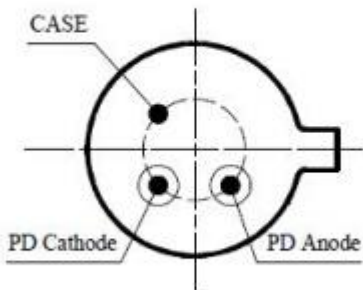
InGaAs PIN Pigtail Module

PIN assignment: (Bottom view)



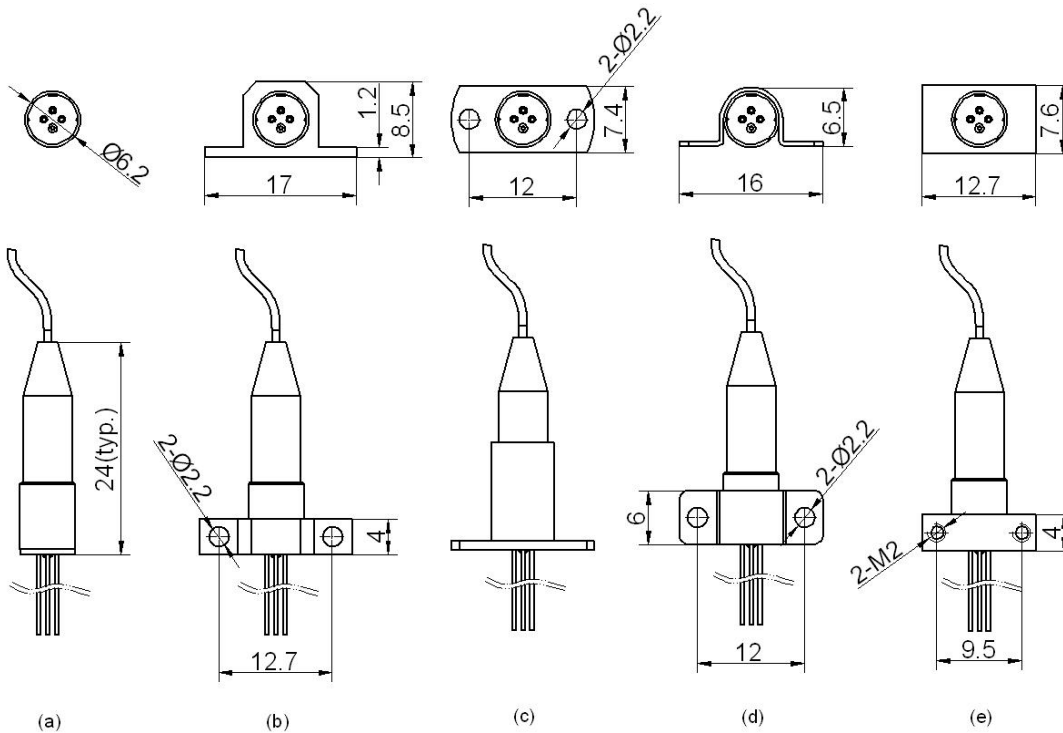
pin	function
1(case)	ground
2	PD(-)
3	PD(+)

PIN assignment: (Bottom view)



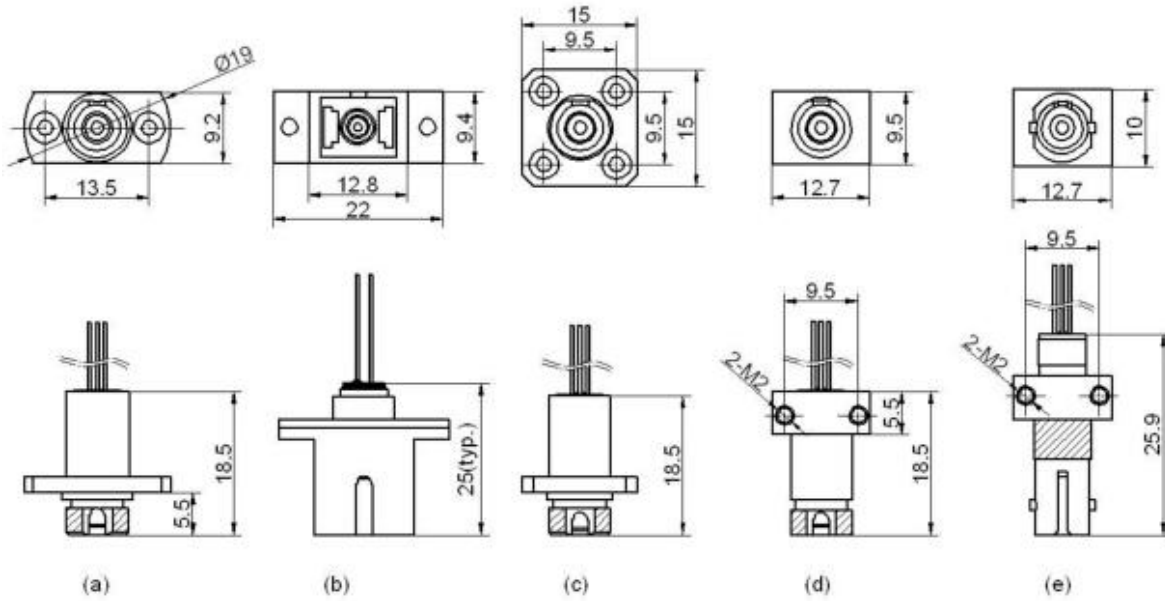
Type B (Bottom view)

Saddle Type



InGaAs PIN Pigtail Module

Receptacle:



Ordering information:

YSCPD- <u>P</u>	<u>FA</u>	<u>4-</u>	<u>1</u>	<u>B</u>
P: pigtail	Connector	saddle	Bandwidth	Pin Assignment
R: receptacle	SA: SC/APC	1,a	1: 1GHz	A: A type
	SP: SC/PC	2,b	2: 2.5GHz	B: B type
	FA: FC/APC	3,c	3: 3GHz	
	FP: FC/PC	4,d		
		5,e		